

EB60 Portable Dehumidifier

15180 Josh Wilson Road, Burlington, WA 98233
 Phone: 800-932-3030 Fax: 360-757-7950 <http://www.EnviroBoss.com>

The EnviroBoss® EB60 Dehumidifier reduces and controls humidity in enclosed environments by removing water vapor from the air.

SAVE THESE INSTRUCTIONS



SAFETY INSTRUCTIONS

WARNING! Do not alter or modify your unit in any way. Use only replacement parts authorized by Legend Brands. Modifications or use of unapproved parts could create a hazard and will void your warranty. Contact your authorized distributor for assistance.

WARNING! Electric shock hazard, rotating fan, hot surface hazards. Unplug unit before opening cover for cleaning or servicing. Unit must be grounded.

- Inspect the power cord before use. If cord is damaged, do not use. Always grasp the plug (not the cord) to unplug.
- Insert three-prong plug on power cord into a matching electrically grounded outlet. Do not use adapter. Never cut off third prong. Do not use an extension cord.
- The unit must be operated on a 115V/60Hz circuit protected by a Ground Fault Circuit Interrupter (GFCI) device.
- Keep motor and wiring dry.
- Do not attempt to repair the unit. For Authorized Service Centers, contact Legend Brands.

IMPORTANT: CHANGE FILTERS OFTEN

Clogged filters can significantly reduce dehumidifier performance. Replace filter whenever it appears heavily loaded with particulate and debris. Filters are

NOT reusable and cannot be cleaned. Do not operate unit without an EnviroBoss filter properly installed.

Replacement filters: Part no. 08-02064 (pack of 24). Available from your EnviroBoss distributor.

BEFORE YOU BEGIN

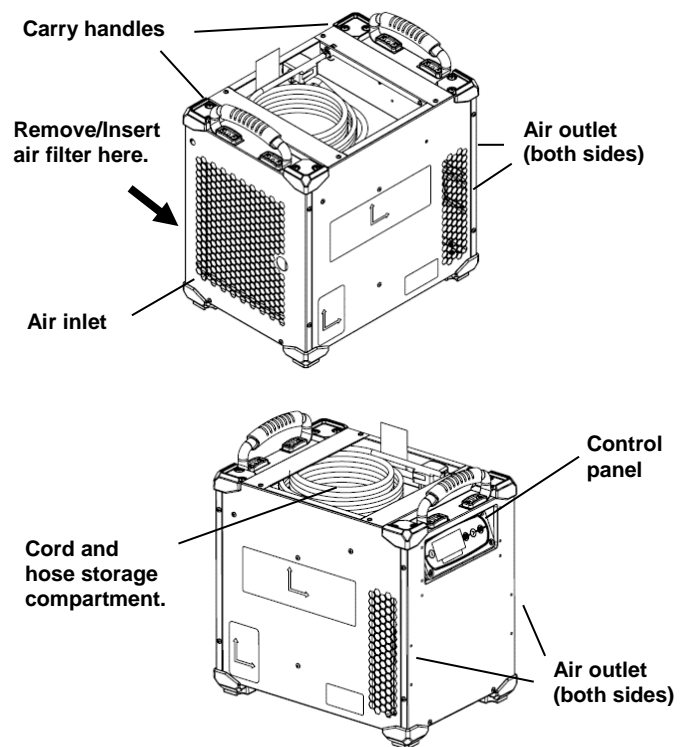
Warranty

If you determine service is required, have your equipment model, serial number and original proof of purchase available and call your distributor for assistance with obtaining a return material authorization (RMA).

INTRODUCTION

The EB60 Dehumidifier reduces humidity in enclosed environments by removing water vapor from the air. With proper use, the EB60 can help maintain humidity at optimal ranges throughout the growing and processing

Fig. A: Parts Identification



stages. Carefully controlling humidity can increase yields and reduce the risk of mold or powdery mildew that can reduce profits.

How the EB60 works

The EB60 refrigerant dehumidifier uses a fan to draw moist air in and condenses it into water that collects in a tray and is automatically pumped out through a drain hose. The unit can be set to operate continuously or the user may select Humidistat Mode. In Humidistat Mode, the EB60 will turn on and off automatically to maintain the inlet humidity level the user has selected.

CONTROLS AND OPERATING INSTRUCTIONS

Set unit upright

NOTICE: Always store, transport, and use the unit in a horizontal position. If the unit is ever placed in a vertical position, return it to the horizontal position and let it stand for at least 30 minutes before turning it on.

Positioning a Dehumidifier

For best results, operate your dehumidifiers in an enclosed area. Close all doors and windows to maximize water removal efficiency. Place your dehumidifier away from obstructions, and keep it away from anything that could block airflow into and out of the unit. For more information about creating an optimum humidity control environment, contact EnviroBoss at 800 932 3030.

Set up drain hose

The EB60 condensate pump connects to a plastic drainage hose. This hose is equipped with a quick-connect fitting for quick attachment to the provided drain hose. Unwrap the entire hose and place the unattached end in a sink, drain or bucket – anywhere that water can drain out or be collected safely. If you use a bucket or other container for water collection, check it regularly to prevent overflows.

NOTICE: Uncoil and straighten the entire drain hose. Do not leave any part of the hose coiled and do not place the end of the hose higher than 20 ft. (6 m) above the bottom of the unit. Also check for kinks or other obstructions that might restrict the flow of water. Obstructions may cause a water backup and result in overflows.

Plug in electrical cord

The EB60 should be plugged into a GFCI-protected 115 volt outlet rated for at least 15 amps.

Startup display and normal display modes

When unit is first plugged into AC power, the control panel display will briefly cycle through a series of readouts. This is part of the unit's self-diagnosis procedure and no user intervention is required.

Turn the unit on

The control panel has a display and a touchpad with four keys. Press the ON/OFF to turn the unit on. The unit will now go through a compressor delay countdown (up to 60 seconds in duration) and a self-diagnostics process, then switch to **normal display mode**.

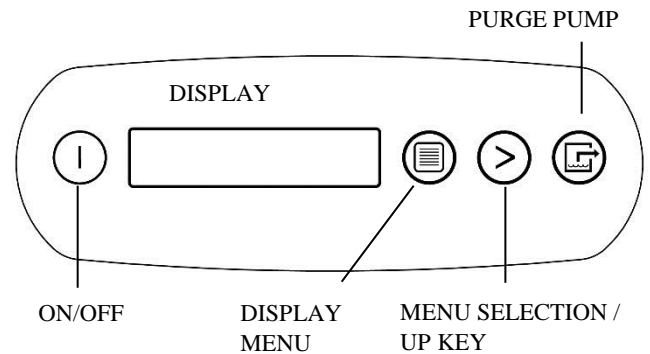
UNIT ON 00 HRS
INLET 00°C / INLET 00%

The **first line** of the display shows the total number of hours the unit has been in operation. This value may be reset to zero to track job hours (see "Job Hours Reset" below). The **second line** of the display alternates between inlet temperature and inlet humidity.

User Settings Menu

A number of display settings may be changed by the user. System information can also be displayed. These items are accessed by pressing DISPLAY MENU. Each press of the key will display the next parameter. When you reach the parameter you wish to adjust, press MENU SELECTION to increase the value. Press DISPLAY MENU again to accept the setting and re-start the display cycle.

CONTROL PANEL



ON/OFF	Press and release to turn unit on or off.
DISPLAY MENU	Press to select next item in menu. Menu item will show in display.
MENU SELECTION / UP KEY	Press to toggle or select values in menu displayed.
PURGE PUMP	Press and release to start purge. Display will count down seconds remaining until purge is complete.

Note that only menu items followed by a greater-than symbol (>) may be adjusted.

All settings and modes are discussed in detail in Control Panel Guide, below.

Error messages

If the EB60 onboard diagnostics discover a problem, the unit will display an error message. See “Error Messages” below for an explanation of each message.

Control Panel Guide

ON/OFF. Press to turn the unit on or off. When the machine is turned on, the display normally reads PLEASE WAIT COMP. DELAY and performs a numeral countdown for a maximum of 60 seconds to 0. This delay allows time for refrigerant pressures to equalize for easier starting. Once the unit completes the compressor delay, the display shows UNIT ON XX HRS and cycles between INLET XX°F and INLET XX%. NOTE: If no compressor delay countdown is displayed, a delay is not necessary and the machine will begin operation immediately.

DISPLAY MENU. Press to cycle through the display of additional dehumidifier conditions and User Settings. To return to the main menu, press the ON/OFF key once.

MENU SELECTION. Press to change the values of the "User Defined" settings. The MENU SELECTION key acts as the UP key for adjusting the setpoint for Humidistat mode operation. See User Settings Menu (below) for details.

PURGE. Press to empty water from the condensate pump reservoir. The display will read PUMP PURGING with a numeral countdown.

NOTE: During normal operation, the pump purges automatically.

USER SETTINGS

Only menu items followed by a greater-than symbol (>) may be adjusted. If no keys are selected for 5 minutes on screens: INLET OUTLET, GRAIN DPR, the display will return to normal display mode. In all the other menu items, the display will return to the normal display mode after 20 seconds. Items without the symbol (>) are for information only and cannot be changed or reset.

Press **DISPLAY MENU** to proceed to the next menu item. ↓

Press  **MENU SELECTION** to change the setting. →

1. JOB HRS RESET > PWR INTERRUPT X > 1. JOB HR RESET 0 PWR INTERRUPT 0 *Press > to reset to 0.*

2. INLET OUTLET 100' 80% 115' 30% *For information only.*

3. GRAIN DPR XX GPP *Note: Unit displays GPP if set to Fahrenheit or g/kg if set to Celsius. To change this setting, see menu item 9.*

4. FILTER CHECKED XXX HRS > 5. FILTER CHECKED 0 HRS *Press > to clear filter hours.*

5. COIL CLEANED XXX HRS > 5. COIL CLEANED 0 HRS *Press > to clear coil hours.*

6. HUMIDISTAT MODE OFF > 6. HUMIDISTAT MODE ON > *Press > to turn ON or OFF. For maximum dehumidification, make sure HUMIDISTAT is OFF.*

7. HUMIDISTAT SETPOINT XX% > *Press > to cycle through 40%–90% at 5% increments (default is 50%).*

8. LANGUAGE ENGLISH > 8. IDIOMA ESPANOL > 8. SPRACHE DEUTSCH > 8. LANGUE FRANCAIS > *Press > to change language options.*

9. TEMP UNITS 'F' > 9. TEMP UNITS 'C' > *Press > to change to °F or °C.*

10. COIL TEMP XX' *For information only.*

11. COMP CURRENT XX.X A *For information only.*

12. FIRMWARE 3.0X FXXX-XXX *For information only.*

13. LIFE HOURS XXXX HRS

(Returns to top menu item.)

The following section available only on wireless-equipped units.

14. SENSOR ID XXXXXXXX

(Returns to top menu item.)

BEFORE STORAGE OR TRANSPORT

To reduce the possibility of drips when moving the unit, follow these additional steps to ensure that all water is removed from the unit.

NOTICE: To ensure all water is removed from the dehumidifier, the unit will complete the defrost cycle even if the unit is turned off. If the unit is unplugged during the defrost cycle, excessive water may accumulate in the unit and may drip out when you move the unit.

NOTICE: To ensure the condensate tank empties completely while purging, make sure the unit is placed upright on a horizontal surface.

1. Do not turn unit off or move it until it has returned to normal operating mode. To confirm unit status, review the control panel. The control panel will display one of the following messages:

Defrost in progress:

**UNIT ON 00 HRS
DEFROST XX**

Display mode when unit is in defrost mode. XX indicates the seconds remaining on the defrost cycle.

Shutdown sequence

**WAIT FOR
DEFROST XX**

Display mode when unit in defrost and unit is powered down (shut off by user). Unit will complete the defrost cycle to remove any built-up ice then purge the pump. XX indicates the seconds remaining on the defrost cycle.

Drying sequence

**WAIT FOR
UNIT DRYING XX**

Display mode when unit not in defrost and unit is powered down (shut off by user). Unit will complete the 5 minute drying cycle then purge the pump. XX indicates the seconds remaining on the drying cycle.

Normal display:

**UNIT ON 00 HRS
INLET XX° C**

The unit has completed a defrost and drying cycle and has returned to normal mode. You may now proceed to step 2.

2. Gently rock the machine to ensure any water remaining on interior surfaces falls into the sump area.

3. Press the PURGE key. When the purge cycle is complete, turn the unit off.

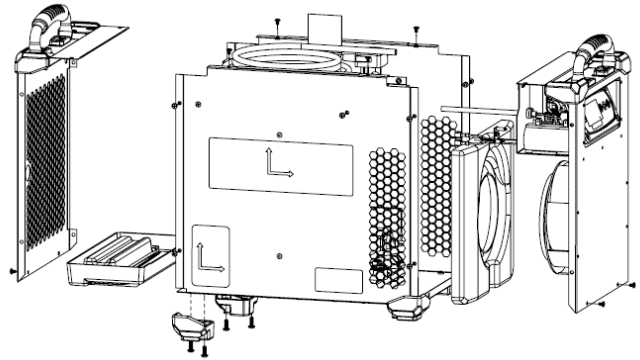
4. Remove the external drain hose, drain it carefully, coil it, and return it to the storage tray on the top of the unit.

TRANSPORTATION AND STORAGE

NOTICE: Handle the unit carefully. Do not drop, throw, or place the unit where it could fall. Rough treatment can

Fig. B: Disassembly for Cleaning

Remove the 8 screws from each end to release the end cap. Remove the 2 feet (4 screws) to remove the drain tray.



damage this equipment and may create a hazardous condition or void warranty.

- Do not expose the control panel to moisture, snow or rain.
- Protect from freezing.
- Store and transport securely to avoid any damaging impact to internal parts.
- Secure during transport to prevent sliding and possible injury to vehicle occupants.

MAINTENANCE SCHEDULE

WARNING! ELECTRIC SHOCK HAZARD. Unplug unit before cleaning or servicing.

WARNING: Risk of dust and contaminants exposure. Use of respirator mask and gloves is recommended. If unit has been exposed to potentially dangerous contaminants, clean thoroughly and sanitize before reuse.

NOTICE: The unit is fitted with sensitive electronic sensors. Protect the sensors and their lead wires from damage and do not expose them to water or cleaning solution.

The following tools and supplies are needed to complete the maintenance procedures described in this manual:

Philips screwdriver
T-20 Torx
3 mm hex bit
8 mm nut driver
Cleaning cloths
HEPA vacuum cleaner with soft brush nozzle and crevice nozzle.

Recommended

Cordless drill, small knife, small-jaw pliers, coil cleaning solution, rotomolded housing cleaning solution.

Before each use

Inspect the electrical cord for damage. Look for fraying, cuts, etc. Replace the cord if you find any damage.

Inspect, vacuum or replace filter. Replace filter when visibly dirty.

Monthly

Inspect coils. Clean when dust accumulation is visible. In normal use, dust can accumulate and can restrict air-flow, reducing performance and causing the unit to over-heat. Use a vacuum cleaner with a brush tool and a soft cloth to remove any debris. Take care not to damage any interior components.

To maintain appearance, wipe interior and exterior surfaces with a damp cloth. For deep cleaning and a lasting, protective shine, use an automotive interior cleaner.

As Needed

Clean pump check valve and basin. If the unit displays the message "ER9 PUMP BLOCKED PUMP & HOSE",

the pump check valve and pump basin may need to be cleaned. Remove grills and cover as shown in Fig. B. Remove screws from pump base and lift out pump. Wipe out pump basin with a damp cloth. Inspect the pump base for build-up of debris and clean if needed. Unthread barbed fitting with check valve and rinse fitting and check valve with clean water. Reinstall check valve into barbed fitting and install the barbed fitting into pump. Do not overtighten. Reinstall pump on base. Reinstall cover and grills.

Clean coils. With the cover removed, inspect both coils. If excessive dust and debris is present, vacuum thoroughly and/or clean with coil cleaner.

PUMP PURGE BUTTON

The Control Panel will display the following messages when the Pump Purge Button is pressed.

CONTROL PANEL MESSAGE	EXPLANATION
--- PUMP PURGING XX	Pump is purging with countdown in seconds. Press key again to stop if needed.

SYSTEM MESSAGES

The Control Panel will display the following messages based on system performance and environmental conditions. User action, if any is required, is indicated in the third column.

CONTROL PANEL MESSAGE	EXPLANATION	USER ACTION
INITIALIZING	Unit is powering up.	None
FIRMWARE VERSION XXX	Indicates control board firmware version number.	None
FXXX-XXX	Model number.	None
OFF	Unit has finished powering up and is operating.	None
PLEASE WAIT COMP. DELAY XX	60s delay before compressor turns on. Allows system pressure to equalize.	None
UNIT ON XXXX HRS INLET XXX°F / XX%	First line: indicates total operating hours. Second line: Toggles between inlet temperature and inlet RH every 2 seconds.	None
HUMIDISTAT INLET XXX°F / XX%	First line: indicates unit is in humidistat mode Second line: Toggles between inlet temperature and inlet RH every 2 seconds.	None
LOW TEMP INLET XXX°F / XX%	Unit shuts off if inlet temp below 45°F/7°C. Turns back on when inlet reaches 50°F/10°C.	None
HI TEMP CYCLE REMAINING XX MIN	Unit overload limit reached. Cool-down initiated.	None
--- DEFROST XX	Unit is defrosting, with countdown in seconds.	None
WAIT FOR DEFROST XXX	Unit turned off when coil is cold or already in a defrost cycle. Proceeds to finish cycle or initiate one to clear the coils of ice before storage.	None
WAIT FOR UNIT DRYING XXX	Occurs when unit is turned off and coil is not frozen. Clears the coils of water before storage.	None
CHECK FILTER > ---	Prompt to check filter.	Check filter. Press the > key to reset
CLEAN COILS > ---	Prompt to clean coils and interior.	Clean coils. Press the > key to reset

ERROR MESSAGES

If the control system detects an error, it will produce an error (“ER”) message. If this occurs, first unplug the unit and then plug it back in. This will usually reset the electronics, and the unit will begin operating normally. If the error message reappears, refer to the explanations and solutions shown below. If these solutions do not fix the problem, contact your local authorized service center.


CONTROL PANEL MESSAGE	EXPLANATION AND SOLUTION
ER3 CONTACT SERVICE CENTER	Loss of refrigerant charge. Send unit to EnviroBoss service center for refrigeration system work.
ER4 DEFROST SENSOR CONNECT or ER4 OUTLET SENSOR CONNECT	Temp sensor is open, missing, or shorted. Check that temp sensors are installed correctly on control panel. If error persists, contact service.
ER5 SENSOR CONNECTION ON BD	Inlet Temp/RH sensor is open, missing, or shorted. Check that inlet temp/RH sensor is installed correctly on control panel and inlet shroud. If error persists, contact service.
ER6 CONTACT SERVICE CENTER	Current sensor failure. If error persists, contact service.
ER7 INVALID MODEL SETTING	Incorrect or unsupported DIP switch settings. Contact Legend Brands service department for correct DIP switch settings.
ER8 BUTTON STUCK ALL BUTTONS	Key is stuck or has been held down too long. Contact service.
ER9 PUMP BLOCKED PUMP & HOSE	Check for obstructions in drain hose. Check the pump.

TROUBLESHOOTING

FAULT	CAUSE	SOLUTION
Water drips out when moving unit	Unit was unplugged before purging was complete.	Purge unit before moving. See "BEFORE STORAGE OR TRANSPORT," above.
Unit does not operate	Unit not switched on. No power to machine.	Switch unit on. Plug in unit; check power cord connection at wall outlet and at base of unit.
Unit operating, but room not dry	Not enough time to dry. Poor air movement in room. Excessive moist air infiltration.	Make sure "Humidistat" is OFF. Allow more time for drying. Increase air movement with air movers. Seal off area to reduce infiltration.
Unit collects too little water	Room air is dry. Room temperature is too low. Filter is clogged. Coils are clogged.	Make sure "Humidistat" is OFF. Confirm humidity level with hygrometer. Increase room temperature. Check filter. Replace as necessary. Check coils. Clean as necessary.
<p><i>If the problem you are experiencing is not listed here, call your local distributor or contact our Service Department toll-free at 800-932-3030 for further assistance.</i></p>		

SPECIFICATIONS

Name	EB60 Dehumidifier
Water removal	62 pts/day 29 L/day at 80°F/60% RH (AHAM) 115 pts/day 54 L/day at 90°F/90% RH
Process air movement	100–150 CFM 3.43–5.1 CMM
Dimensions (W × H × D)	11.3 × 15.3 × 15.8 in. 28.7 × 38.9 × 40.1 cm
Weight (w/ cord & hose)	50 lbs. 22.7 kg
Amps	4.5 amps at 80°F/60% RH
Volts	115V
Frequency	60 Hz
Power (compressor rating)	517 W
Operating temperature range	33°F–100°F 1°C–38°C
Safety	Pending
<p><i>Specifications are subject to change without notice. Some values may be approximate.</i></p>	

 **WARNING:** This product and other substances that may become airborne from its use contain chemicals, including lead and phthalates, known to the State of California to cause cancer, birth defects, or other reproductive harm. For more information, go to P65Warnings.ca.gov

Replacement filters: Part no. 08-02064 (pack of 24). Available from your EnviroBoss distributor.

FOR PARTS AND SERVICE CALL YOUR LOCAL DISTRIBUTOR or EnviroBoss at 800-932-3030. www.EnviroBoss.com

For proper disposal, this unit should be taken to a recycler licensed to process refrigeration equipment.

Manual del propietario

Deshumidificador portátil EB60

Legend Brands

15180 Josh Wilson Road, Burlington, WA 98233

Teléfono: 800-932-3030 Fax: 360-757-7950 www.EnviroBoss.com

El deshumidificador EB60 de EnviroBoss reduce y controla la humedad en ambientes cerrados al remov el vapor de agua del aire.

CONSERVE ESTAS INSTRUCCIONES

⚠️ ADVERTENCIA



INSTRUCCIONES DE SEGURIDAD

¡ADVERTENCIA! No altere ni modifique su deshumidificador de ninguna forma. Use solo piezas de repuesto autorizadas por Legend Brands. Las modificaciones o el uso de piezas no aprobadas podrían crear un peligro y anularán su garantía. Comuníquese con su distribuidor autorizado para obtener asistencia.

¡ADVERTENCIA! Peligro de descarga eléctrica, ventilador rotativo, peligros de superficie caliente. Desenchufe la unidad antes de abrir la cubierta para limpiar o reparar. La unidad debe estar puesta a tierra.

- Inspeccione el cable de alimentación antes de usar. Si el cable está dañado, no lo use. Siempre sostenga el enchufe (no el cable) para desenchufar.
- Inserte el enchufe de tres patas en un tomacorriente correspondiente con puesta a tierra. No use un adaptador. Nunca corte la tercera pata. No use un cable de extensión.
- La unidad debe utilizarse en un circuito de 115 V/60 Hz protegido por un dispositivo de interruptor de circuito de pérdida a tierra (GFCI).
- Mantenga seco el motor y la cablería.
- No intente reparar la unidad. Para conocer la ubicación de un centro de servicio autorizado, comuníquese con Legend Brands.

I IMPORTANTE: CAMBIE LOS FILTROS CON FRECUENCIA

Los filtros obstruidos pueden reducir de manera significativa el desempeño del deshumidificador. Reemplace el filtro cuando contenga una alta carga de partículas y sedimentos. Los filtros NO pueden volver a usarse o limpiarse. No utilice la unidad si no

ha instalado de manera apropiada un filtro EnviroBoss.

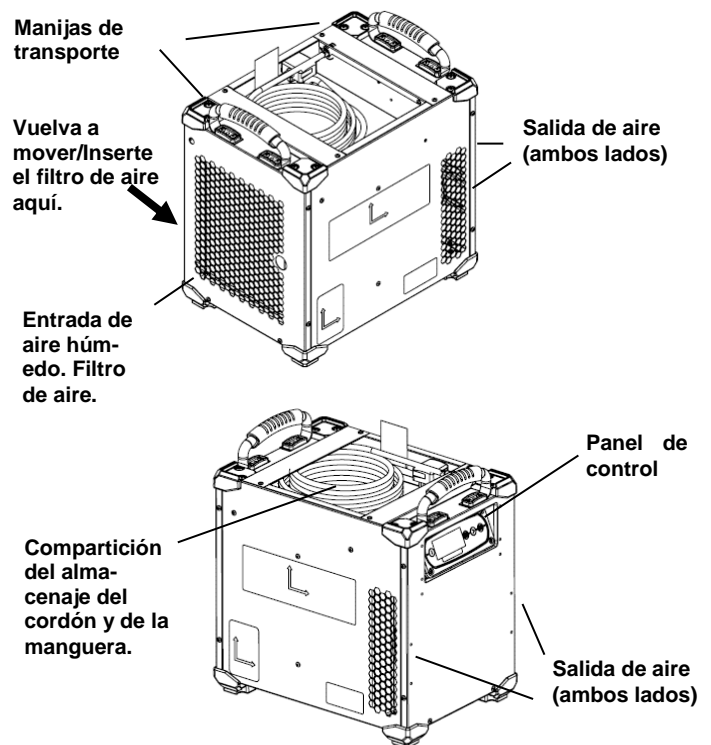
Filtros de reemplazo: parte n.º 08-02064 (paquete de 24). Disponible a través de su distribuidor EnviroBoss.

ANTES DE COMENZAR

Garantía

Si usted considera que la unidad necesita recibir servicio, tenga a la mano la información sobre el modelo de su equipo, el número de serie y el comprobante de compra original, y llame a su distribuidor para que le ayude a obtener una autorización de devolución de materiales (RMA, por sus siglas en inglés).

Fig. A: IDENTIFICACIÓN DE PIEZAS



INTRODUCCIÓN

El deshumidificador EB60 reduce la humedad en ambientes cerrados mediante la eliminación del vapor de agua del aire. Con el uso adecuado, el EB60 puede ayudar a mantener la humedad a intervalos óptimos durante las etapas de crecimiento y procesamiento. Controlar cuidadosamente la humedad puede aumentar los rendimientos y reducir el riesgo de moho o mildiu que puede reducir los beneficios.

CONTROLES E INSTRUCCIONES DE OPERACIÓN

Coloque la unidad en posición vertical

AVISO: No se recomienda transportar o almacenar la unidad en posición horizontal. Si la máquina se coloca en posición horizontal, el aceite del compresor puede fluir hasta las bobinas del refrigerante y reducir la posibilidad de que el deshumidificador funcione y puede dañar la unidad. Si la unidad se ha colocado en posición horizontal, colóquela en posición vertical y déjela quieta al menos 30 minutos antes de encenderla.

Dónde colocar el deshumidificador

Para obtener mejores resultados, opere su deshumidificador en un área cerrada. Cierre todas las puertas y ventanas para maximizar la eficiencia de eliminación de agua de la unidad. Coloque el deshumidificador lejos de obstrucciones y manténgalo alejado de cualquier objeto que pueda obstruir el flujo de aire hacia y desde la unidad.

Extienda el mango

Desbloquee el mango girando la palanca roja de bloqueo hacia afuera y luego levante el mango hasta que esté en su lugar. Gire la palanca roja hasta la posición de bloqueo para que el mango quede fijo en la posición de funcionamiento.

AVISO: No use el mango extendido para levantar la unidad del suelo de forma horizontal. No use el mango extendido como punto de sujeción para sujetar la unidad a un vehículo para su transporte. Estos usos aplicarán una tensión indebida a los puntos de sujeción del mango en la carcasa.

Instale la manguera de drenaje

Esta unidad bombea automáticamente el agua hacia afuera de forma uniforme. Este deshumidificador está equipado con un accesorio de conexión rápida para su conexión a la manguera de drenaje provista de ubicado en la bandeja sobre la unidad. Desenrolle la manguera completamente y coloque el extremo abierto en un lavabo, drenaje o cubo: en cualquier lugar donde el agua pueda drenarse o ser recogido de forma segura. Si usa un cubo u otro contenedor para la recolección de agua, compruébelo constantemente para evitar derrames.

AVISO: Desenrolle y enderece toda la manguera de drenaje. No deje ninguna parte de la manguera enrollada en la unidad y no coloque el extremo de la manguera a más de 20 pies (6 m) por encima de la parte inferior de la unidad. Compruebe también que no haya acodaduras u otras obstrucciones que puedan limitar el flujo de agua. Una acodadura o un bloqueo causarán que la unidad se apague y genere un código de error ER9. Consulte los “Mensajes de error” para obtener más información.

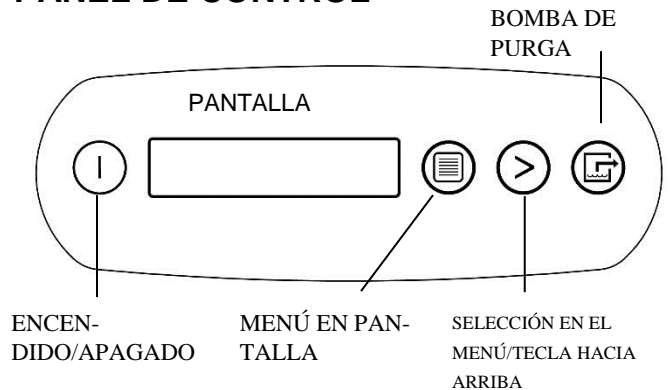
Enchufe el cable eléctrico

El deshumidificador se debe enchufar en un tomacorriente de 115 voltios protegido por un GFCI con una clasificación de al menos 15 amperios. Quite el cable de la bandeja de almacenamiento y desenróllelo. Siempre enchufe bien el cable en la unidad primero y luego enchufe el otro extremo en un tomacorriente adecuado.

Pantalla de arranque y modos de pantalla normal

Cuando la unidad se enchufe por primera vez en un tomacorriente de CA, la pantalla del panel de control mostrará brevemente una serie de lecturas de salida. Esto es parte del procedimiento de autodiagnóstico y el usuario no tiene que llevar a cabo ninguna acción.

PANEL DE CONTROL



ENCENDIDO/APAGADO	Presione y suelte para encender o apagar la unidad.
MENÚ EN PANTALLA	Presione para seleccionar el siguiente elemento en el menú. El elemento del menú aparecerá en la pantalla.
SELECCIÓN EN EL MENÚ/TECLA HACIA ARRIBA	Presione para alternar o seleccionar valores en el menú exhibido.
BOMBA DE PURGA	Presione y suelte para comenzar la purga. La pantalla mostrará una cuenta regresiva con los segundos que faltan para que se complete la purga.

Encienda la unidad

El panel de control tiene una pantalla y un panel táctil con cuatro teclas. Presione el botón ON/OFF (ENCENDIDO/ APAGADO) para encender la unidad. La unidad comenzará una cuenta regresiva de retardo del compresor (hasta 60 segundos de duración) y un proceso de autodiagnóstico y luego pasará al **modo de pantalla normal**.

UNIDAD ENCENDIDA 00 HORAS
ENTRADA 00 °C/ENTRADA 00 %

La **primera línea** de la pantalla muestra la cantidad total de horas que la unidad ha estado en funcionamiento. Este valor se puede reiniciar a cero para realizar un seguimiento de las horas de trabajo (vea "Reinicio de horas de trabajo" más abajo). En la **segunda línea** de la pantalla se alterna la temperatura de entrada y la humedad de entrada.

Menú de ajustes del usuario

El usuario puede hacer varios ajustes. También se puede mostrar información del sistema. Se puede acceder a estos elementos presionando el DISPLAY MENU (MENÚ EN PANTALLA). Cada vez que presione la tecla se mostrará el parámetro que siga. Cuando llegue al parámetro que desee ajustar, presione MENU SELECTION (SELECCIÓN EN EL MENÚ) para aumentar el valor. Presione DISPLAY MENU nuevamente para aceptar el ajuste y reiniciar el ciclo de la pantalla.

Tenga en cuenta que solo se pueden ajustar los elementos del menú que estén seguidos por el símbolo mayor que (>).

Mensajes de error

Si el diagnóstico integrado descubre un problema, la unidad mostrará un mensaje de error. Vea "Mensajes de error" para leer una explicación de cada mensaje.

Guía del panel de control

ON/OFF: presione esta tecla para encender o apagar la unidad. Cuando se enciende la máquina, la pantalla normalmente muestra el mensaje PLEASE WAIT COMP. DELAY (ESPERE A RETRASO DEL COMPRESOR) y realiza una cuenta regresiva desde un máximo de 60 segundos hasta 0. Este retraso da tiempo para que las presiones del refrigerante se equiparen para que haya un arranque más sencillo. Una vez que la unidad complete el retraso del compresor, la pantalla mostrará el mensaje UNIT ON XX HRS (UNIDAD ENCENDIDA XX HORAS) y alterna entre INLET XX°F (ENTRADA XX °F) e INLET XX% (ENTRADA XX %). NOTA: Si no aparece la cuenta regresiva de retraso del compresor, no se necesita un retraso y la máquina comenzará a funcionar de inmediato.

DISPLAY MENU: presione esta tecla para alternar entre la exhibición de condiciones adicionales del deshumidificador y los ajustes del usuario. Para regresar al menú principal, presione la tecla ON/OFF una vez.

MENU SELECTION: presione esta tecla para cambiar los valores de los ajustes "definidos por el usuario". La tecla MENU SELECTION funciona como tecla hacia ARRIBA para configurar el punto de ajuste para el funcionamiento en modo Humidistat. Vea el Menú de ajustes de usuario (página siguiente) para obtener más información.

PURGE: presione esta tecla para vaciar el agua del depósito de la bomba de condensado. La pantalla mostrará el mensaje PUMP PURGING (LA BOMBA ESTÁ PURGANDO) con una cuenta regresiva.

NOTA: Durante el funcionamiento normal, la bomba purga el agua automáticamente.

AJUSTES DE USUARIO

Solo se pueden ajustar los elementos del menú que estén seguidos de un símbolo de «mayor que» (>). Si no se selecciona ninguna tecla en las siguientes pantallas en un lapso de 5 minutos: INLET OUTLET (ENTRADA SALIDA), DPR GRAIN (GRANO DE DPR), la pantalla volverá al modo de visualización normal. En todos los demás elementos de menú, la pantalla regresará al modo de visualización normal después de 20 segundos. Los elementos que no tienen el símbolo (>) son únicamente para información y no se pueden cambiar ni restablecer.

Presione **DISPLAY MENU (MOSTRAR MENÚ)** para pasar a la siguiente opción del menú. ↓

Presione > **MENU SELECTION (SELECCIÓN DEL MENÚ)** para cambiar el ajuste. →

1. HRS REINICIAR> FALLA DE LUZ X	>	1. H DE TRABAJO 0 FALLA DE LUZ 0	Presione > para restablecer a 0.
2. ENTRADA SALIDA 100' 80% 115' 30%			Sólo para información.
3. ENTRADA-SALIDA XX.X g/kg			
4. FILTRO REVISADO XXX HR >	>	5. FILTRO REVISADO 0 HRS	Presione > para borrar las horas de limpieza del filtro.
5. LIMPIAR BOBINA XXX HRS >	>	5. LIMPIAR BOBINA 0 HRS	Presione > para borrar las horas de limpieza de la bobina.
6. HIGROSTATO MODO APAGADO>	>	6. HIGROSTATO MODO PRENDIDO>	Presione > para poner en ON u OFF (ENCENDER o APAGAR). Para una deshumidificación máxima, vele por que HUMIDISTAT esté apagado.
7. CONSIGNA HIGROSTATO XX%>	>		Presione > para alternar entre el 40% y el 90% en incrementos de 5% (el valor predeterminado es de 50%).
8. IDIOMA ESPANOL >	>	8. SPRACHE DEUTSCH >	>
		8. LANGUE FRANCAIS >	>
		8. LANGUAGE ENGLISH >	Presione > para cambiar las opciones de idioma.
9. TEMPERATURA 'C >	>	9. TEMPERATURA 'F >	Presione > para cambiar a °F o °C.
10. TEMP BOBINA XX'			Sólo para información.
11. CORR COMPRS XX.X A			Sólo para información.
12. FIRMWARE 3.0X FXXX-XXX			Sólo para información.
13. TOTAL DE HRS XXXX HR			

(Regresa al elemento del menú superior).

La siguiente sección está disponible sólo en las unidades equipadas con sistema inalámbrico.

14. SENSOR ID
XXXXXXXX

(Regresa al elemento del menú superior).

ANTES DEL ALMACENAJE O DEL TRANSPORTE

Para reducir la posibilidad de goteo al mover la unidad, siga estos pasos adicionales para velar por la extracción de toda el agua de la unidad.

AVISO: La unidad completará el ciclo de descongelamiento incluso si está apagada, pero aún enchufada.

Si la unidad se desenchufa durante el ciclo de descongelamiento, puede acumularse una cantidad excesiva de agua en la unidad y puede gotear al mover la unidad.

AVISO: Para que el tanque de condensado esté vaciado por completo tras la purga, vele por colocar la unidad en posición vertical sobre una superficie horizontal.

1. No apague ni mueva la unidad hasta que regrese al modo normal de funcionamiento. Para corroborar el estado de la unidad, examine el panel de control.

El panel de control mostrará uno de los mensajes siguientes:

Descongelamiento en marcha:

**UNIDAD ENCENDIDA 00 HORAS
DESCONGELAMIENTO XX**

Es el modo de la pantalla si la unidad está en el modo de descongelamiento. XX indica los segundos restantes del ciclo de descongelamiento.

Secuencia de apagado:

**ESPERAR A
DESCONGELAMIENTO XX**

Es el modo de la pantalla si la unidad está en el modo de descongelamiento y está apagada (por el usuario). La unidad completará el ciclo de descongelamiento para eliminar la acumulación de hielo y luego purgará la bomba. XX indica los segundos restantes del ciclo de descongelamiento.

Secuencia de secado:

**ESPERAR A
SECADO DE LA UNIDAD XX)**

Es el modo de la pantalla si la unidad no está en el modo de descongelamiento y está apagada (por el usuario). La unidad completará el ciclo de secado de 5 minutos y luego purgará la bomba. XX indica los segundos restantes del ciclo de secado.

Pantalla normal:

**UNIDAD ENCENDIDA 00 HORAS
ENTRADA XX °C**

La unidad ha completado un ciclo de descongelamiento y secado y ha regresado al modo normal. Ahora puede avanzar al paso 2.

2. Agite suavemente la máquina para velar por que el agua que quede en las superficies interiores caiga al área del sumidero.

3. Presione la tecla PURGE (PURGAR). Cuando finalice el ciclo de purga, apague la unidad.

4. Retire la manguera de drenaje externo, vacíela con cuidado, enróllela y vuelva a colocarla en la bandeja de almacenamiento en la parte superior de la unidad.

TRANSPORTE Y ALMACENAMIENTO

IMPORTANTE: Antes de mover, transportar o almacenar la unidad, púrguela y almacene la manguera y el cable de alimentación tal como se describe en la sección "Al finalizar el trabajo" más arriba.

AVISO: Maneje la unidad con cuidado. No permita que la unidad se caiga, no la arroje y no la coloque en un lugar donde podría caerse. El tratamiento brusco podría dañar el deshumidificador y puede propiciar una situación peligrosa o anular la garantía.

- No exponga el panel de control a la humedad, la nieve o la lluvia.

- Almacene y transporte de forma segura para evitar impactos dañinos en las partes internas.
- Sujete durante su transporte para prevenir su deslizamiento y posibles lesiones a los ocupantes del vehículo.
- No almacene ni transporte la unidad apoyada sobre el frente, los lados o la parte posterior. Esto ayudará a prevenir que la humedad que quede salga de la unidad o llegue a áreas fuera del sumidero.

PLAN DE MANTENIMIENTO

¡ADVERTENCIA! PELIGRO DE DESCARGA ELÉCTRICA. Desenchufe el deshumidificador antes de realizar tareas de mantenimiento.

ADVERTENCIA: Riesgo de exposición al polvo y a contaminantes. Se recomienda el uso de una máscara y guantes. Si la unidad ha estado expuesta a contaminantes potencialmente peligrosos, limpie bien y desinfecte antes de volver a utilizar.

AVISO: La unidad está equipada con sensores electrónicos sensibles. Proteja los sensores y los hilos conductores contra daños y no los exponga al agua ni a una solución limpiadora.

Se necesitan las siguientes herramientas e insumos para completar los procedimientos de mantenimiento que se describen en este manual:

Destornillador Philips

Broca T-20 Torx

Llave para tuercas o llave de cubo y trinquete (10 mm)

Paños de limpieza

Aspiradora HEPA con una boquilla con cepillo blando y herramienta para cavidades.

Recomendado

Taladro inalámbrico, cuchillo pequeño, pinzas de punta pequeña, solución limpiadora de bobinas, solución limpiadora de carcasas rotomoldeadas.

Antes de cada uso

Inspeccione el cable eléctrico para detectar daños: busque raeduras, cortes, etc. Reemplace el cable si detecta algún daño.

Inspeccione el filtro: reemplácelo si observa que hay acumulación de polvo y suciedad.

Mensual

Inspeccione las bobinas: limpie si observa que hay acumulación de polvo. Con un uso normal, el polvo puede acumularse y puede restringir el flujo de aire, lo cual disminuye el rendimiento y provoca el recalentamiento de la unidad.

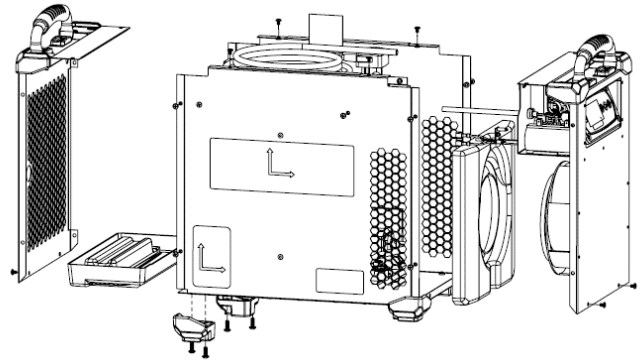
Para mantener el aspecto: limpie la superficie interior y exterior con un paño húmedo. Para una limpieza profunda y un brillo duradero y de protección, use un tratamiento automotriz en el interior.

Según sea necesario

Limpie la válvula de retención de la bomba y el recipiente: si la unidad muestra el mensaje “ER9 PUMP BLOCKED PUMP & HOSE” (BOMBA ER9 BLOQUEADA: BOMBA Y MANGUERA), debe limpiar la válvula de retención de la bomba y el recipiente de la bomba. Esto exige la extracción de la carcasa del frente. **Limpie las bobinas:** inspeccione la bobina evaporadora horizontal (frío) sin la cubierta del frente. Si observa una cantidad excesiva de polvo y suciedad, aspire bien o limpie con un limpiador para bobinas.

Fig. B: Desensamble para la limpieza

Retire los 8 tornillos de cada extremo para soltar la tapa de extremo. Retire los 2 pies (4 tornillos) para retirar la bandeja de desagüe.



MENSAJE DEL PANEL DE CONTROL	EXPLICACIÓN
LA BOMBA ESTÁ PURGANDO XX	La purga de la bomba tiene una cuenta regresiva en segundos. Presione la tecla nuevamente para detenerla.

BOTÓN DE PURGA DE LA BOMBA

El panel de control mostrará el siguiente mensaje al presionar el botón de purga de la bomba.

MENSAJES DEL SISTEMA

El panel de control mostrará los mensajes siguientes de acuerdo con el rendimiento del sistema y las condiciones ambientales. Si se necesita alguna acción por parte del usuario, se indicará en la tercera columna.

MENSAJE DEL PANEL DE CONTROL	EXPLICACIÓN	ACCIÓN DEL USUARIO
INICIANDO	La unidad se está encendiendo.	Ninguna
VERSIÓN DEL FIRMWARE XXX	Indica el número de versión del <i>firmware</i> del tablero de control.	Ninguna
FXXX-XXX	Número de modelo.	Ninguna
APAGADO	La unidad ha completado el encendido y está funcionando.	Ninguna
ESPERE A RETRASO DEL COMPRESOR XX	Retraso de 60 segundos antes que se encienda el compresor. Permite que se equipare la presión del sistema.	Ninguna
UNIDAD ENCENDIDA XXXX HORAS ENTRADA XXX °F/XX %	Primera línea: indica las horas totales de funcionamiento. Segunda línea: alterna entre la temperatura de entrada y la humedad relativa de entrada cada 2 segundos.	Ninguna
HUMIDISTAT ENTRADA XXX °F/XX %)	Primera línea: indica que la unidad está en el modo Humidistat. Segunda línea: alterna entre la temperatura de entrada y la humedad relativa de entrada cada 2 segundos.	Ninguna
TEMPERATURA BAJA ENTRADA XXX °F/XX %	La unidad se apaga si la temperatura de entrada es inferior a 45 °F/7 °C. Se vuelve a encender cuando la temperatura de entrada llega a 50 °F/10 °C.	Ninguna
CICLO DE TEMPERATURA ALTA QUEDAN XX MINUTOS	Se alcanzó el límite de sobrecarga de la unidad. Se inició el enfriamiento.	Ninguna
--- DESCONGELAMIENTO XX	La unidad se está descongelando, y hay una cuenta regresiva en segundos.	Ninguna
ESPERAR A DESCONGELAMIENTO XX	La unidad se apaga cuando la bobina está fría o ya está en el ciclo de descongelamiento. Avanza al ciclo final o inicia un ciclo para eliminar el hielo de las bobinas antes de almacenar la unidad.	Ninguna
ESPERAR A SECADO DE LA UNIDAD XXX	Ocurre cuando la unidad se apaga y la bobina no está congelada. Elimina el agua de las bobinas antes de almacenar la unidad.	Ninguna
COMPROBAR FILTRO > ---	Indicación para comprobar filtro.	comprobar el filtro. Presione la tecla > para reiniciar
LIMPIAR BOBINAS ---	Indicación para limpiar las bobinas y el interior.	Limpie las bobinas. Presione la tecla > para reiniciar

MENSAJES DE ERROR

Si el sistema de control detecta un error, se producirá un mensaje de error ("ER"). Si esto ocurre, desconecte la unidad y luego conéctela de nuevo. Por lo general, esto restablecerá la parte electrónica, y la unidad comenzará a funcionar normalmente. Si el mensaje de error vuelve a aparecer, consulte las explicaciones y soluciones que se muestran a continuación. Si estas soluciones no se resuelven el problema, póngase en contacto con su centro de servicio local autorizado.

MENSAJE DEL PANEL DE CONTROL	EXPLICACIÓN Y SOLUCIÓN
ER3 CENTRO DE SERVICIO DE CONTACTO	Pérdida de carga de refrigerante. Envíe la unidad a un centro de servicio de EnviroBoss para servicio de sistema de refrigeración.
ER4 CONEXION SENSOR DESCONG or ER4 CONEXION SENSOR SALIDA	Sensor de temperatura abierto, faltante, o en cortocircuito. Compruebe que los sensores de temperatura estén instalados correctamente en el panel de control. Si el error persiste, comuníquese al centro de servicio.
ER5 CONEXION SENSOR TABLERO	Sensor de temperatura/humedad relativa de entrada abierto, faltante, o en cortocircuito. Compruebe que el sensor de temperatura/humedad relativa esté instalado correctamente en el panel de control y la cubierta de entrada. Si el error persiste, comuníquese al centro de servicio.
ER6 CONTACTAR CENTRO DE SERV	Falla en el sensor de corriente. Si el error persiste, comuníquese al centro de servicio.
ER7 INVAL AJUSTE	Configuración incorrecta o incompatible de los interruptores DIP. Comuníquese al centro de servicio para obtener la configuración correcta de los interruptores DIP.
ER8 BOTON ATORADO	La tecla se ha atascado o se ha oprimido por demasiado tiempo. Comuníquese al centro de servicio.
ER9 BOMBA TAPADA BOMBA&MANGUERA	Compruebe si hay obstrucciones en la manguera de desagüe. Revise la bomba.

RESOLUCIÓN DE PROBLEMAS

FALLA	CAUSA	SOLUCIÓN
Gotea agua al mover la unidad	La unidad se desenchufó antes de completar la purga.	Purgue la unidad antes de moverla. Vea “ANTES DEL ALMACENAJE O DEL TRANSPORTE.”
La unidad no funciona.	Unidad no encendida. La unidad no está enchufada.	Encienda la unidad. Enchufe la unidad; compruebe la conexión del cable de alimentación en el tomacorriente y en la base de la unidad.
La unidad funciona, pero la sala no está seca	No se asignó un tiempo suficiente para secar. Movimiento de aire deficiente en la sala. Entrada de aire excesivamente húmedo.	Verifique que “Humidistat” esté apagado. Asigne más tiempo al secado. Aumente el movimiento de aire con ventiladores. Cierre la sala para reducir el ingreso de aire.
La unidad recoge muy poca agua	El aire de la sala es seco. La temperatura de la sala es demasiado baja. El filtro está lleno. Las bobinas están obstruidas.	Verifique que “Humidistat” esté apagado. Confirme el nivel de humedad con un higrómetro. Aumente la temperatura de la sala. Examine el filtro. Reemplácelo de ser necesario. Examine las bobinas. Límpielas de ser necesario.
<p><i>Si el problema que experimenta no figura en esta lista, llame a su distribuidor local o comuníquese con nuestro Servicio de Atención al Cliente al 800-932-3030 para obtener asistencia.</i></p>		

ESPECIFICACIONES TÉCNICAS

Modelo	EB60 Dehumidifier
Extracción de agua	162 pts/day 29 L/day at 80°F/60% RH (AHAM) 115 pts/day 54 L/day at 90°F/90% RH 00 pintas 47,3 l/día
Aire tratado (máx.)	100–150 CFM 3.43–5.1 CMM
Dimensiones (altura x ancho x profundidad)	11.3 x 15.3 x 15.8 in. 28.7 x 38.9 x 40.1 cm
Peso	50 lbs. 22.7 kg
Amperios (at 80°F/60% RH)	4.5 amps
Voltios	115 V
Frecuencia	60 Hz
Potencia	517 W
Intervalo de funcionamiento	33°F–100°F 1°C–38°C
Seguridad	Certificación ETL CSA 22.2 n.º Pending
<p>Las especificaciones técnicas pueden cambiar sin previo aviso. Algunos valores pueden ser aproximados. *La velocidad del ventilador varía automáticamente para un rendimiento optimizado.</p>	

Filtros de reemplazo: parte n.º 08-02064 (paquete de 24). Disponible a través de su distribuidor EnviroBoss.

PARA PEDIR INFORMACIÓN SOBRE PIEZAS Y SERVICIO, LLAME A SU DISTRIBUIDOR LOCAL o a EnviroBoss al 800-932-3030. www.EnviroBoss.com

Para deshacerse de esta unidad de forma adecuada, es necesario llevarla a un reciclador autorizado para procesar equipos de refrigeración.



ADVERTENCIA: Este producto y otras sustancias que pueden desprenderse del aire por su uso contienen productos químicos, entre ellos plomo y ftalatos, que el estado de California sabe que causan cáncer, defectos congénitos u otros daños durante la gestación. Para obtener más información, visite P65Warnings.ca.gov.

Manuel d'utilisation Déshumidificateur portatif EB60

15180 Josh Wilson Road, Burlington, WA 98233

Téléphone : 800-932-3030 Fax : 360-757-7950 www.EnviroBoss.com

La EnviroBoss EB60 déshumidificateur réduit et contrôle l'humidité dans les environnements clos en éliminant la vapeur d'eau de l'air.

Brevets : <http://www.LBpatents.com>

CONSERVER CES INSTRUCTIONS

AVERTISSEMENT



INSTRUCTIONS DE SÉCURITÉ

AVERTISSEMENT ! En aucun cas, vous ne devez altérer ou modifier votre déshumidificateur. Utilisez seulement des pièces de rechange autorisées par Legend Brands. Des modifications ou l'utilisation de pièces non approuvées peuvent entraîner un risque de danger et annuleront votre garantie. Contactez votre distributeur agréé pour une assistance.

AVERTISSEMENT ! Risques de choc électrique, ventilateur rotatif, surface brûlante. Débranchez l'unité avant d'ouvrir le couvercle pour procéder à un nettoyage ou un entretien. L'appareil doit être mis à la terre.

- Inspectez le câble d'alimentation avant utilisation. Si le câble est endommagé, ne l'utilisez pas. Saisissez toujours la prise (pas le câble) pour débrancher.
- Insérez la fiche triphasée du câble d'alimentation dans une prise de terre correspondante. N'utilisez pas d'adaptateur. Ne coupez jamais la troisième broche. N'utilisez pas de rallonge.
- L'appareil doit fonctionner sur un circuit 115V/60Hz protégé par un disjoncteur différentiel de fuite à la terre (DDFT).
- Maintenez le moteur et le câblage au sec.
- Ne tentez pas de réparer l'appareil. Pour les centres d'entretien et de réparation agréés, contactez Legend Brands.

IMPORTANT: CHANGER LES FILTRES FRÉQUEMMENT

L'obstruction des filtres peut réduire de façon significative la performance du déshumidificateur. Remplacer le filtre chaque fois que la quantité de particules et de filtres semble importante. Les filtres NE

sont PAS réutilisables et ne peuvent pas être nettoyés.

Remplacement des filtres: Pièce no 08-02064 (lot de 24). Disponibles auprès de votre distributeur EnviroBoss.

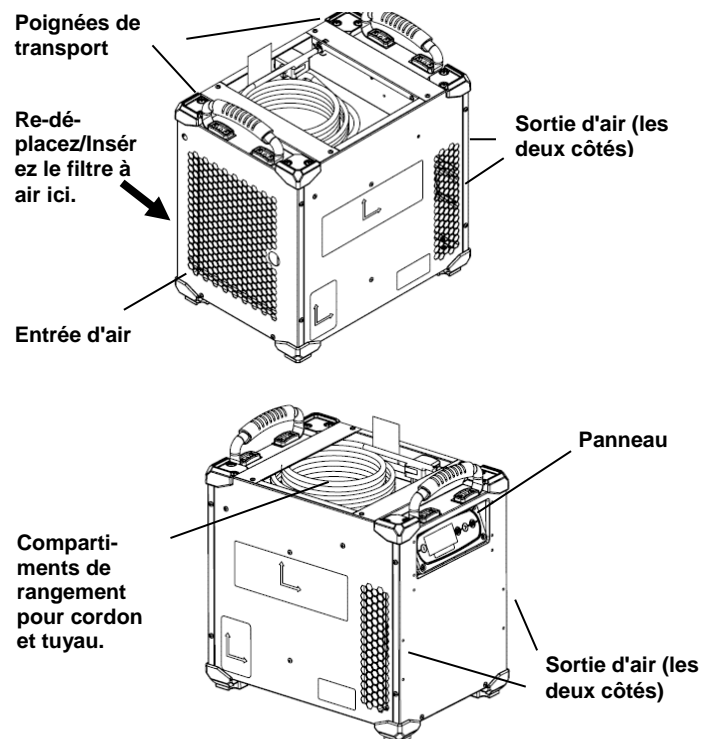
AVANT DE COMMENCER

Enregistrement de la garantie Si vous estimez qu'une réparation s'impose, procurez-vous le modèle de l'appareil, le numéro de série et la preuve d'achat originale, puis appelez votre distributeur pour obtenir une autorisation de retour d'article (RMA).

INTRODUCTION

Le déshumidificateur EB60 réduit l'humidité dans les environnements fermés en enlevant la vapeur d'eau de

FIG. A : IDENTIFICATION DES PIÈCES



l'air. Avec une utilisation correcte, le EB60 peut aider à maintenir l'humidité à des intervalles optimaux tout au long des étapes de croissance et de traitement. Contrôler soigneusement l'humidité peut augmenter les rendements et réduire le risque de moisissures ou de moisissures poudreuses qui peuvent réduire les profits.

COMMANDES ET INSTRUCTIONS DE FONCTIONNEMENT

Mettez l'unité debout en position verticale.

NOTICE : Le transport ou l'entreposage de l'unité dans la position horizontale n'est pas recommandé. Lorsque la machine est placée en position horizontale, l'huile du compresseur peut s'écouler dans les serpentins du réfrigérant et cela peut réduire les capacités de fonctionnement du déshumidificateur et causer des dommages éventuels de l'appareil. Si l'unité a été placée en position horizontale, mettez-la debout en position verticale et laissez-la dans cette position pendant au moins 30 minutes avant de la mettre en marche.

Positionner un déshumidificateur

Pour obtenir des résultats optimaux, faites fonctionner votre déshumidificateur dans un endroit fermé. Fermez toutes les portes et les fenêtres pour maximiser l'absorption d'eau de l'appareil. Éloignez votre déshumidificateur des obstructions et de tout objet pouvant gêner le flux d'air dans et hors de l'appareil. Pour plus d'informations sur contrôle de l'humidité optimal, contactez EnviroBoss au 800 932 3030.

Poignée d'extension

Relâchez la poignée en tournant la manette rouge vers l'extérieur, puis positionnez la poignée vers le haut. Tournez la manette rouge de nouveau pour la bloquer en positionnement de fonctionnement.

NOTICE : N'utilisez pas la poignée d'extension pour soulever l'appareil du sol, de manière horizontale. N'utilisez pas la poignée d'extension comme dispositif de fixation pour attacher l'unité dans un véhicule pour le transport. Une telle utilisation exerce une pression excessive sur les points d'attache de la poignée dans le logement.

Mise en place du tuyau de vidange

Cet appareil pompe de l'eau automatiquement sur une base régulière. Ce déshumidificateur est équipé d'un raccord à connexion rapide pour l'attachement au tuyau de vidange fourni, situé sur le plateau sur le dessus de l'unité. Déballiez le tuyau entier et placez l'extrémité ouverte dans un bac, drain ou seau dans un endroit où l'eau peut s'écouler ou être collectées en toute sécurité. Si vous utilisez un seau ou un autre contenant pour la collecte de l'eau, vérifiez régulièrement pour éviter un débordement.

NOTICE : Déroulez et redressez le tuyau de vidange entier. Ne laissez aucune partie du tuyau enroulée sur l'unité et ne placez pas l'extrémité du tuyau à une hauteur de plus de 6 m (20 ft), à partir du bas de l'unité. Vérifiez aussi qu'il n'y ait pas de torsion ou d'obstructions qui puissent restreindre le flux d'eau. Une torsion ou une obstruction du câble peut entraîner un arrêt de l'unité et produire un code d'erreur ER9. Voir « Messages d'erreur » pour plus d'informations.

Brancher le câble électrique

Le déshumidificateur doit être branché sur une prise de 115 volts avec protection DDFT, d'au moins 15 amps. Retirez le câble du plateau de rangement et déroulez-le. Branchez toujours le câble fermement sur l'unité d'abord, puis branchez l'autre extrémité sur une prise électrique appropriée.

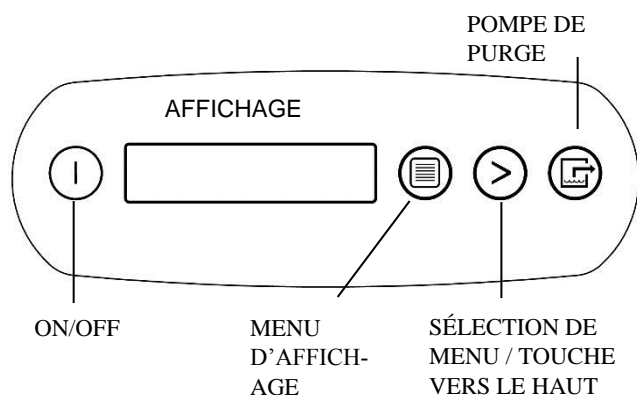
Modes d'affichage de démarrage et d'affichage normal

Lorsque l'unité est d'abord branchée sur une prise AC, le panneau de commande affiche brièvement une série de valeurs. Cela fait partie d'une procédure d'auto-diagnostic et aucune intervention de l'utilisateur n'est nécessaire.

Mettre l'unité en marche

Le panneau de commande contient un écran d'affichage et un pavé tactile de quatre touches. Appuyez sur le bouton ON/OFF pour mettre l'unité en marche. L'unité va maintenant effectuer un compte à rebours (d'une durée d'au plus 60 secondes) et un processus d'auto-diagnostic, puis passera en **mode d'affichage normal**.

PANNEAU DE COMMANDE



ON/OFF	Appuyez sur la touche et relâchez pour mettre l'unité en marche ou l'arrêter.
MENU D'AFFICHAGE	Appuyez pour sélectionner l'élément suivant dans le menu. L'article du menu s'affiche.
SÉLECTION DE MENU / TOUCHE VERS LE HAUT	Appuyez pour basculer ou sélectionnez les valeurs affichées dans le menu.
POMPE DE PURGE	Appuyez sur le bouton et relâchez pour commencer la purge. Un compte à rebours affiche les secondes restantes jusqu'à ce que la purge soit terminée.

UNITÉ SUR 00 H ENTRÉE XX° C / ENTRÉE XX%

La **première ligne** de l'affichage indique le nombre total d'heures pendant lesquelles l'unité a fonctionné. Cette valeur doit être réinitialisée sur zéro pour suivre les heures de travail (voir « Réinitialisation des heures de travail » ci-dessous). La **deuxième ligne** de l'affichage alterne entre la température en entrée et l'humidité en entrée.

Menu des paramètres d'utilisateur

Un certain nombre de paramètres peuvent être changés par l'utilisateur. Les informations du système peuvent aussi être affichées. Appuyez sur DISPLAY MENU (menu d'affichage) pour accéder à ces éléments.

Chaque pression sur la touche fait afficher le paramètre suivant. Lorsque vous obtenez le paramètre que vous voulez ajuster, appuyez sur MENU SELECTION (sélection de menu) pour augmenter la valeur. Appuyez de nouveau sur DISPLAY MENU (menu d'affichage) pour accepter le paramètre et redémarrer le cycle d'affichage.

Notez que seulement des éléments de menu suivis du symbole supérieur à (>) peuvent être ajustés.

Messages d'erreur

Si le système de diagnostics embarqué découvre un problème, l'unité affichera un message d'erreur. Voir « Messages d'erreur » pour une explication de chaque message.

Guide du panneau de commande

ON/OFF. Appuyez pour mettre l'unité en marche ou à l'arrêt. Lorsque la machine est en marche, l'écran affiche PLEASE WAIT COMP. DELAY (veuillez patienter jusqu'à la fin du délai) et effectue un compte à rebours numérique d'un maximum de 60 secondes à 0. Ce délai laisse le temps suffisant pour équilibrer les pressions du réfrigérant et permettre un démarrage facile. Une fois que l'unité termine le délai du compresseur, l'affichage montre UNIT ON XX HRS (unité en marche xx heures) et passe de INLET XX°F (entrée xx°F) à INLET XX% (entrée xx%). REMARQUE : Si aucun compte à rebours n'est affiché, un délai n'est pas nécessaire et la machine commence à fonctionner immédiatement.

MENU D'AFFICHAGE. Appuyez pour afficher les conditions supplémentaires du déshumidificateur et les paramètres utilisateur. Pour revenir au menu principal, appuyez une fois sur la touche ON/OFF

SÉLECTION DE MENU. Appuyez pour changer les valeurs des paramètres « définis par l'utilisateur ». La touche MENU SELECTION agit comme la touche vers le haut pour régler le point de consigne pour un fonctionnement en mode « Humidistat » (hygrostat). Voir le menu des paramètres utilisateur (page suivante) pour plus de détails. **PURGE.** Appuyez pour vider l'eau du réservoir de la pompe à condensat. L'écran affiche PUMP PURGING (purge de pompe) avec un compte à rebours.

REMARQUE : En mode de fonctionnement normal, la pompe purge automatiquement.

Paramètres de l'utilisateur

Seuls les éléments du menu suivis du symbole « supérieur à » (>) peuvent être réglés. Si aucune touche n'est sélectionnée pendant 5 minutes pour les écrans : ENTRÉE-SORTIE, GRAIN DPR, l'affichage reviendra au mode d'affichage normal. Pour tous les autres éléments du menu, l'affichage reviendra au mode d'affichage normal après 20 secondes. Les éléments sans le symbole (>) ne sont là que pour information et ne peuvent pas être modifiés ou réinitialisés.

Appuyer sur **MENU**
AFFICHAGE pour
passer à l'option sui-
vante du menu. ↓

Appuyer sur  **SÉLECTION DE MENUS** pour modifier les paramètres. →

- | | | | | | | | |
|--|--|---|--|-------------------------|---|--------------------------|---|
| 1. HRS REINICIAR>
FALLA DE LUZ X | > | 1. H DE TRABAJO 0
FALLA DE LUZ 0 | | | <i>Appuyer sur > pour réinitialiser à 0.</i> | | |
| 2. ENTRADA SALIDA
100' 80% 115' 30% | <i>Pour information seulement.</i> | | | | | | |
| 3. ENTRADA-SALIDA
XX.X g/kg | <i>Remarque : L'unité affiche GPP si elle paramétrée en °Fahrenheit ou g/kg si elle est paramétrée en °Celsius. Pour changer ce paramètre, voir l'élément de menu 9.</i> | | | | | | |
| 4. FILTRE VÉRIFIÉ
XXX HR > | > | 4. FILTRE VÉRIFIÉ
0 HRS | <i>Appuyer sur > pour effacer les heures du filtre.</i> | | | | |
| 5. LIMPIAR BOBINA
XXX HRS > | > | 5. LIMPIAR BOBINA
0 HRS | <i>Appuyer sur > pour effacer les heures de la bobine.</i> | | | | |
| 6. HIGROSTATO
MODO APAGADO> | > | 6. HIGROSTATO
MODO PRENDIDO> | <i>Appuyer sur > pour allumer ou éteindre. Pour une déshumidification maximale, vérifiez que HUMIDISTAT est sur OFF.</i> | | | | |
| 7. CONSIGNA
HIGROSTATO XX%> | > | <i>Appuyer sur > pour faire défiler de 40% à 90% par incréments de 5% (le défaut est 50%).</i> | | | | | |
| 8. IDIOMA
ESPANOL > | > | 8. SPRACHE
DEUTSCH > | > | 8. LANGUE
FRANCAIS > | > | 8. LANGUAGE
ENGLISH > | <i>Appuyer sur > pour modifier l'option de langue.</i> |
| 9. TEMPERATURA
'C > | > | 9. TEMPERATURA
'F > | <i>Appuyer sur > pour passer de °F à °C.</i> | | | | |
| 10. TEMP BOBINA
XX' | <i>Pour information seulement.</i> | | | | | | |
| 11. CORR COMPR
XX.X A | <i>Pour information seulement.</i> | | | | | | |
| 12. FIRMWARE
3.0X FXXX-XXX | <i>Pour information seulement.</i> | | | | | | |
| 13. TOTAL DE HRS
XXXX HR | | | | | | | |

(Retour aux éléments
du menu principal.)

La partie suivante n'est disponible que pour les unités équipées sans fil.

14. SENSOR ID XXXXXXXX

(Retour aux éléments
du menu principal.)

AVANT LE STOCKAGE OU LE TRANSPORT

Pour réduire la possibilité d'égouttement lors du déplacement de l'unité, suivez ces étapes supplémentaires pour vous assurer que toute l'eau est éliminée de l'unité.

NOTICE : L'unité termine le cycle de dégivrage même si elle est à l'arrêt **mais reste toujours branchée**. Si l'unité est débranchée durant le cycle de dégivrage, un excédent d'eau peut s'accumuler dans l'unité et peut s'égoutter lorsque vous déplacez l'unité.

NOTICE : Pour s'assurer que le bac de condensat se vide complètement durant la purge, vérifiez que l'unité est positionnée debout, à la verticale sur une surface horizontale.

1. Ne mettez pas l'unité à l'arrêt ou ne la déplacez pas jusqu'à ce qu'elle revienne en mode de fonctionnement normal. Pour confirmer l'état de l'unité, passez en revue le panneau de commande. Le panneau de commande affiche l'un des messages suivants :

Dégivrage en cours :

**XXXX HRS TRAVAIL
LE DEGIVRAGE XX**

Mode d'affichage lorsque l'unité est en mode de dégivrage. XX indique les secondes restantes pour le cycle de dégivrage.

Séquence d'arrêt :

**ATTENDRE
LE DEGIVRAGE XX**

Mode d'affichage lorsque l'unité est en mode de dégivrage et que l'unité est à l'arrêt (éteinte par l'utilisateur). L'unité termine le cycle de dégivrage pour éliminer toute accumulation de glace puis purge la pompe. XX indique les secondes restantes pour le cycle de dégivrage.

Séquence de séchage :

**ATTENDRE LE SÉCHAGE
DE L'UNITÉ XX**

Mode d'affichage lorsque l'unité n'est pas en mode de dégivrage et qu'elle est à l'arrêt (éteinte par l'utilisateur). L'unité termine le cycle de séchage de 5 minutes puis purge la pompe. XX indique les secondes restantes pour le cycle de séchage.

Affichage normal :

**UNITÉ SUR 00 H
ENTRÉE XX° C / ENTRÉE XX%**

L'unité a terminé un cycle de dégivrage et de séchage et est revenue en mode normal. Vous pouvez maintenant passer à l'étape 2.

2. Secouez doucement la machine pour vérifier que l'eau restante sur les surfaces intérieures s'écoule dans le puisard.

3. Appuyez sur la touche PURGE. Lorsque le cycle de purge est terminé, arrêtez la machine.

4. Retirez le tuyau de vidange externe, drainez-le soigneusement, enroulez-le et remettez-le sur le plateau de rangement en haut de l'unité.

TRANSPORT ET RANGEMENT

IMPORTANT : Avant de déplacer, transporter ou ranger l'unité, purgez l'unité et rangez le tuyau et le câble d'alimentation tel qu'il est décrit dans la section ci-dessus « À la fin de la tâche ».

NOTICE : Manipulez l'unité avec précaution. Ne faites pas tomber l'unité ou ne la placez pas dans un endroit d'où elle pourrait tomber. Un traitement sans précautions peut endommager le déshumidificateur et causer un risque de danger ou annuler la garantie.

- N'exposez pas le panneau de commande à l'humidité, la neige ou la pluie.
- Entrez et transportez l'unité de manière sûre pour éviter des dommages des pièces internes.
- Sécurisez l'unité durant le transport pour éviter qu'elle ne glisse et cause des blessures aux occupants du véhicule.
- Ne transportez pas ou n'entrez pas l'unité sur sa face avant, sur les côtés ou sur le dos. Ceci permet d'éviter que l'humidité restante ne s'échappe de l'unité ou s'égoutte dans des parties en dehors du puisard.

PROGRAMME DE MAINTENANCE

AVERTISSEMENT ! RISQUE DE CHOC ÉLECTRIQUE. Débranchez le déshumidificateur avant d'effectuer une opération de maintenance.

AVERTISSEMENT : Risque d'exposition à la poussière et à des contaminants. L'utilisation d'un masque respiratoire et de gants est recommandée. Si l'unité a été exposée à des contaminants potentiellement dangereux, nettoyez en profondeur et désinfectez avant réutilisation.

NOTICE : L'unité est équipée de capteurs électroniques sensibles. Protégez les capteurs et leurs fils conducteurs des dommages et ne les exposez pas à l'eau ou à une solution de nettoyage.

Les outils et les fournitures suivants sont nécessaires pour effectuer les procédures de maintenance décrites dans ce manuel :

Tournevis Philips
Embout T-20 Torx
Tournevis 10 mm ou douille et cliquet
Chiffons de nettoyage
Aspirateur HEPA avec embout à brosse douce et suceur plat.

Recommandé

Perceuse sans fil, petit couteau, petites pinces, solution de nettoyage de serpentin, solution de nettoyage de logement rotomoulé.

Avant chaque utilisation

Inspecter le câble électrique pour détecter les dommages. Détectez les coupures, effilochages, etc. Remplacez le câble s'il est endommagé.

Inspecter le filtre. Remplacez le câble si une accumulation de poussière et de débris est visible.

Tous les mois

Inspecter les serpentins. Nettoyez lorsque l'accumulation de poussière est visible. Durant une utilisation normale, de la poussière peut s'accumuler et restreindre le flux d'air, réduire la performance et causer une surchauffe de l'unité.

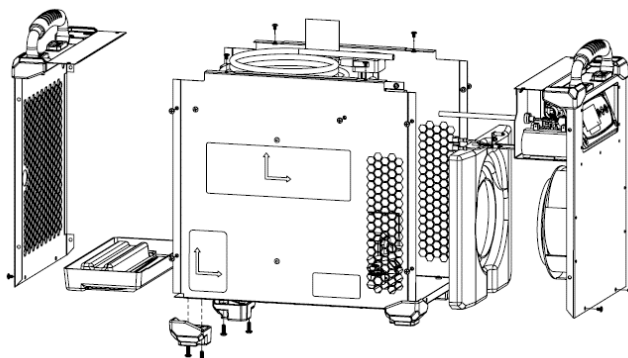
Pour préserver l'aspect de l'unité, essuyez les surfaces intérieures et extérieures avec un chiffon humide. Pour un nettoyage approfondi et obtenir un lustre protecteur et durable, utilisez un produit de traitement d'intérieur automobile.

Si nécessaire

Nettoyer le clapet antiretour de la pompe et le bac Si l'unité affiche le message « ER9 PUMP BLOCKED PUMP & HOSE », il se peut que le clapet antiretour de

Fig. B : Démontage pour le nettoyage

Enlevez les 8 vis de chaque extrémité pour libérer le capuchon d'extrémité. Enlevez les 2 pieds (4 vis) pour enlever le plateau de vidange.



la pompe et le bac de la pompe doivent être nettoyés. Cela nécessite le retrait du logement avant.

Nettoyer les serpentins. Inspectez le serpentin d'évaporateur horizontal (froid) avec le couvercle avant retiré. Si un excédent de poussière et de débris est présent, aspirez en profondeur et/ou nettoyez avec un produit nettoyant pour serpentin.

BOUTON DE PURGE DE POMPE

Le panneau de commande affiche les messages suivants lorsque le bouton de purge de pompe est enfoncé.

MESSAGES DU PANNEAU DE COMMANDE	EXPLICATION
--- POMPE EN TRAIN DE PURGER XX	La pompe est en train de purger et un compte à rebours est affiché en secondes. Appuyez de nouveau sur la touche si nécessaire.

MESSAGES DU SYSTÈME

Le panneau de commande affiche les messages suivants selon la performance du système et les conditions environnementales. Une intervention de l'utilisateur, si elle est requise, est indiquée dans la troisième colonne.

MESSAGES DU PANNEAU DE COMMANDE	EXPLICATION	INTERVENTION DE L'UTILISATEUR
INITIALIZING	L'unité est mise sous tension.	Aucune
FIRMWARE VERSION XXX	Indique le numéro de version du progiciel du panneau de commande.	Aucune
FXXX-XXX	Numéro de modèle.	Aucune
OFF	L'unité est maintenant sous tension et en marche.	Aucune
ATTENDEE CONTESTER COMPRS XX	Délai de 60 secondes avant l'activation du compresseur. Permet l'équilibrage de la pression du système.	Aucune
UNIT ON XXXX HRS ENTREE XXX°F / XX%	Première ligne : indique le nombre total d'heures de fonctionnement. Deuxième ligne : Permet de passer de la température d'entrée à RH d'entrée toutes les 2 secondes.	Aucune
HUMIDISTAT ENTREE XXX°F / XX%	Première ligne : indique que l'unité est en mode hygromètre Deuxième ligne : Permet de passer de la température d'entrée à RH d'entrée toutes les 2 secondes.	Aucune
BASSE TEMP ENTREE XXX°F / XX%	L'unité s'arrête si la température d'entrée est en dessous de 45°F/7°C. Elle est activée de nouveau lorsque la température d'entrée atteint 50°F/10°C.	Aucune
ELEVE TEMP CYCLE XX MIN RESTANT	La limite de surcharge de l'unité est atteinte. Le refroidissement est initié.	Aucune
--- DIGIVRAGE XX	L'unité est en cours de dégivrage et un compte à rebours est affiché en secondes.	Aucune
ATTENDEE DECONGLE XXX	L'unité s'arrête lorsque le serpentin est froid ou est déjà dans un cycle de dégivrage. L'unité termine le cycle ou initie un cycle pour éliminer la glace des serpentins avant l'entreposage.	Aucune
ATTENDEE SOIT SECHE XXX	S'affiche lorsque l'unité est à l'arrêt et que le serpentin n'est pas gelé. Élimine l'eau des serpentins avant l'entreposage.	Aucune
VERIFIER FILTER > ---	Ce message apparaît pour indiquer qu'il faut vérifier le filter.	Vérifier le filter. Appuyez sur la touche > pour réinitialiser
NETTOYEZ BOBINE > ---	Ce message apparaît pour indiquer qu'il faut nettoyer les serpentins et l'intérieur.	Nettoyer les serpentins. Appuyez sur la touche > pour réinitialiser

MESSAGES D'ERREUR

Si le système de contrôle détecte une erreur, il émettra un message d'erreur (« ER »). Si cela se produit, débranchez d'abord l'unité puis rebranchez-la. Généralement, cela réinitialisera les systèmes électroniques et l'unité se mettra à fonctionner normalement. Si le message d'erreur réapparaît, référez-vous aux explications et solutions décrites ci-dessous. Si ces solutions ne règlent pas le problème, contactez votre centre local de services agréé.

MESSAGE DU PANNEAU DE COMMANDE	EXPLICATIONS ET SOLUTIONS
ER3 CONTACT CENTRE DE SERVICE	Perte de charge de réfrigérant. Envoyer l'unité à un centre de service EnviroBoss pour le service du système de réfrigération.
ER4 CONEXION SENSOR DESCONG or ER4 CONEXION SENSOR SALIDA	Le capteur de température est ouvert, manquant ou court-circuité. Vérifier que les capteurs de température sont installés correctement sur le panneau de commande. Si l'erreur persiste, contacter le fournisseur de services.
ER5 CONEXION SENSOR TABLERO	Le capteur de la température/Rh d'entrée est ouvert, manquant ou court-circuité. Vérifier que les capteurs de température/Rh d'entrée sont installés correctement sur le panneau de commande et la flasque d'entrée. Si l'erreur persiste, contacter le fournisseur de services.
ER6 CONTACTAR CENTRO DE SERV	Panne actuelle du capteur. Si l'erreur persiste, contacter le fournisseur de services.
ER7 INVAL AJUSTE	Paramètres des commutateurs DIP incorrects ou incompatibles. Contacter le service client de Dri-Eaz pour obtenir les bons paramètres des commutateurs DIP.
ER8 BOTON ATORADO	Une touche est bloquée ou a été maintenue appuyée trop longtemps. Contacter le fournisseur de services.
ER9 BOMBA TAPADA BOMBA&MANGUERA	Vérifier la présence d'une obstruction dans le tuyau de vidange. Vérifier la pompe.

DÉPANNAGE

ERREUR	CAUSE	SOLUTION
De l'eau s'égoutte lorsque l'unité est déplacée.	L'unité a été débranchée avant que la purge ne soit terminée.	Purgez l'unité avant de la déplacer. Voir « AVANT LE STOCKAGE OU LE TRANSPORT ».
L'unité ne fonctionne pas.	L'unité n'est pas sous tension. Il n'y a pas d'alimentation électrique dans la machine.	Mettez l'unité sous tension. Branchez l'unité; vérifiez le branchement du câble d'alimentation sur la prise murale et à la base de l'unité.
L'unité fonctionne, mais la salle n'est pas sèche	Temps de séchage insuffisant. Circulation de l'air insuffisante dans la salle. Infiltration d'air humide excessive.	Vérifiez que l'hygrostat (« Humidistat ») est sur OFF. Laissez sécher plus longtemps. Augmentez la circulation de l'air avec des ventilateurs de refroidissement. Fermez la zone pour réduire l'infiltration.
L'unité ne collecte pas assez d'eau.	L'air de la pièce est sec. La température de la pièce est trop basse. Le filtre est plein. Les serpentins sont bouchés.	Vérifiez que l'hygrostat (« Humidistat ») est sur OFF. Vérifiez le niveau d'humidité avec l'hygromètre. Augmentez la température de la pièce. Vérifiez le filtre. Remplacez si nécessaire. Vérifiez les serpentins. Nettoyez si nécessaire.
<p><i>Si le problème rencontré n'est pas décrit ici, appelez votre distributeur local ou contactez notre Service d'assistance au 800-932-3030 pour une assistance.</i></p>		

CARACTÉRISTIQUES TECHNIQUES

Modèle	EB60 Dehumidifier
Élimination de l'eau	62 pts/day 29 L/day at 80°F/60% RH (AHAM) 115 pts/day 54 L/day at 90°F/90% RH
Air de traitement (max.)	100–150 CFM 3.43–5.1 CMM
Dimensions (H x D x W)	11.3 x 15.3 x 15.8 in. 28.7 x 38.9 x 40.1 cm
Poids	50 lbs. 22.7 kg
Amps	6,6A
Volts	115V
Fréquence	60Hz
Alimentation électrique	517W
Plage de fonctionnement	33°F–100°F 1°C–38°C
Sécurité	Pending
<p>Les caractéristiques techniques sont sujettes à des changements sans préavis. Certaines valeurs peuvent être approximatives. *La vitesse du ventilateur varie automatiquement pour une performance optimisée.</p>	

Remplacement des filtres: Pièce no 08-02064 (lot de 24). Disponibles auprès de votre distributeur EnviroBoss.

POUR DES PIÈCES DE RECHANGE ET SERVICE appeler votre distributeur local ou EnviroBoss au 800-932-3030. www.EnviroBoss.com

Pour une mise au rebut correcte, cette unité doit être déposée dans un centre de recyclage agréé pour le traitement des équipements de réfrigération.



MISE EN GARDE: Ce produit et d'autres substances, qui peuvent être libérés dans l'air lors de l'utilisation, contiennent des produits chimiques, parmi lesquels le plomb et les phtalates, considérés par l'État de Californie comme vecteurs de cancer, d'anomalies congénitales ou d'autres troubles de la reproduction. Pour plus d'informations, rendez-vous sur P65Warnings.ca.gov

