

EB80 Portable Dehumidifier

15180 Josh Wilson Road, Burlington, WA 98233
 Phone: 800-932-3030 Fax: 360-757-7950 www.EnviroBoss.com

The EnviroBoss® EB80 Dehumidifier reduces and controls humidity in enclosed environments by removing water vapor from the air.

SAVE THESE INSTRUCTIONS

WARNING



SAFETY INSTRUCTIONS

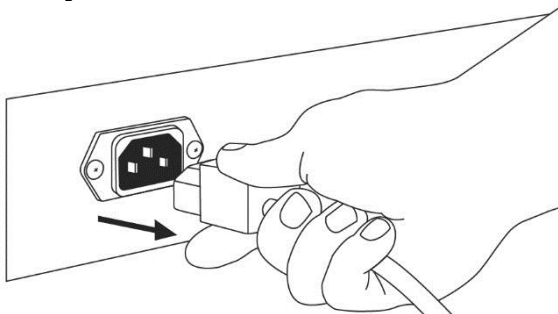
WARNING! Do not alter or modify your unit in any way. Use only replacement parts authorized by Legend Brands. Modifications or use of unapproved parts could create a hazard and will void your warranty. Contact your authorized distributor for assistance.

WARNING! Electric shock hazard, rotating fan, hot surface hazards. Unplug unit before opening cover for cleaning or servicing. Unit must be grounded.

- Inspect the power cord before use. If cord is damaged, do not use. Always grasp the plug (not the cord) to unplug.

CORRECT PLUG REMOVAL *Grasp IEC plug and pull straight out*

IMPORTANT: Damage to IEC receptacle or dehumidifier resulting from improper removal of the power cord is not covered by warranty. The IEC power cord is a wear item and is not covered by warranty.



- Insert three-prong plug on power cord into a matching electrically grounded outlet. Do not use adapter. Never cut off third prong. Do not use an extension cord.
- The unit must be operated on a 115V/60Hz circuit protected by a Ground Fault Circuit Interrupter (GFCI) device.
- Keep motor and wiring dry.
- Do not attempt to repair the unit. For Authorized Service Centers, contact EnviroBoss.

IMPORTANT: CHANGE FILTERS OFTEN

Clogged filters can significantly reduce dehumidifier performance. Replace filter whenever it appears heavily loaded with particulate and debris. Filters are NOT reusable and cannot be cleaned. Do not operate unit without an EnviroBoss filter properly installed.

Replacement filters: Part no. 08-02094 (pack of 24). Available from your EnviroBoss distributor.

BEFORE YOU BEGIN

Warranty

If you determine service is required, have your equipment model, serial number and original proof of purchase available and call your distributor for assistance with obtaining a return material authorization (RMA).

INTRODUCTION

The EB80 Dehumidifier reduces humidity in enclosed environments by removing water vapor from the air. With proper use, the EB80 can help maintain humidity at optimal ranges throughout the growing and processing stages. Carefully controlling humidity can increase yields and reduce the risk of mold or powdery mildew that can reduce profits.

How the EB80 works

The EB80 refrigerant dehumidifier uses a fan to draw moist air in and condenses it into water that collects in a

tray and is automatically pumped out through a drain hose.

The EB80 is preset to automatically maintain a 50% RH level. To change this setting, see “Humidistat Mode” below. Note: Unit automatically shuts off below 40% RH.

CONTROLS AND OPERATING INSTRUCTIONS

Set unit upright

NOTICE: Always store, transport, and use the unit in a horizontal position. If the unit is ever placed in a vertical position, return it to the horizontal position and let it stand for at least 30 minutes before turning it on.

Positioning a Dehumidifier

For best results, operate your dehumidifiers in an enclosed area. Close all doors and windows to maximize water removal efficiency. Place your dehumidifier away from obstructions, and keep it away from anything that could block airflow into and out of the unit. For more information about creating an optimum humidity control environment, contact EnviroBoss at 800-932-3030.

Set up drain hose

The EB80 condensate pump connects to a plastic drain hose equipped with a quick-connect fitting for quick attachment to the unit. To set up the hose, unwrap the entire hose and place the unattached end in a sink, drain or bucket – anywhere that water can drain out or be collected safely. Connect the other end of the hose to the EB80. If you use a bucket or other container for water collection, check it regularly to prevent overflows.

NOTICE: Uncoil and straighten the entire drain hose. Do not leave any part of the hose coiled and do not place the end of the hose higher than 3 ft. (1 m) above the bottom of the unit. Also check for kinks or other obstructions that might restrict the flow of water. Obstructions may cause a water backup and result in overflows.

Plug in electrical cord

The EB80 should be plugged into a GFCI-protected 115 volt outlet rated for at least 15 amps. Always plug the cord firmly into the unit first, and then plug the other end into a suitable outlet.

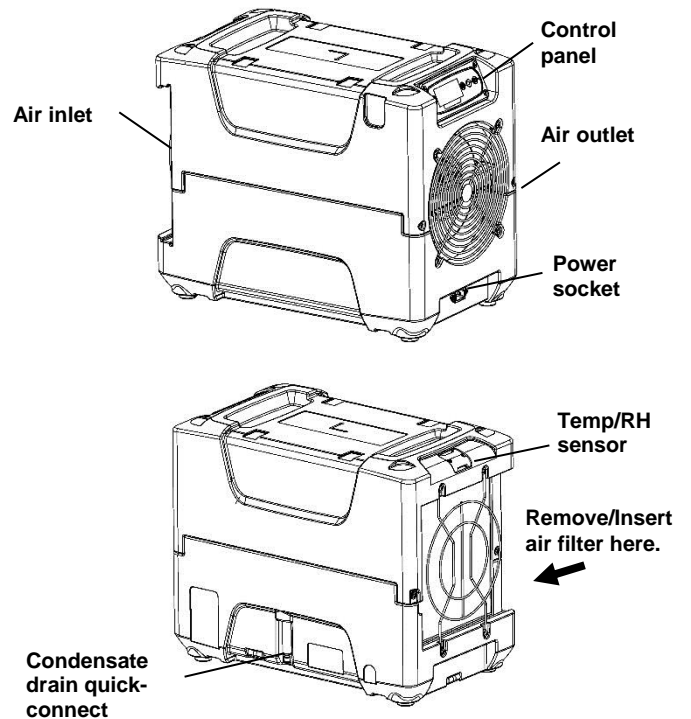
Startup display and normal display modes

When unit is first plugged in to AC power, the control panel display will briefly cycle through a series of readouts. This is part of the unit’s self-diagnosis procedure and no user intervention is required.

Turn the unit on

The control panel on the EB80 dehumidifier has a display and a touchpad with four keys. Press the ON/OFF
07-02331B EB80

Fig. A: Parts Identification



to turn the unit on. The unit will now go through a compressor delay countdown (up to sixty seconds in duration) and a self-diagnostics process.

Once the compressor delay countdown and self-diagnostics are complete, the display will switch to **normal display mode**.

UNIT ON 00 HRS
INLET 00°F / INLET 00%

The **first line** of the display shows the total number of hours the unit has been in operation. This value may be reset to zero to track job hours (see “Job Hours Reset” below). The **second line** of the display alternates between inlet temperature and inlet humidity.

Error messages

If the EB80 onboard diagnostics discover a problem, the unit will display an error message. See "Error Messages" for an explanation of each message.

Control Panel Guide

ON/OFF. Press to turn the unit on or off. When the machine is turned on, the display normally reads PLEASE WAIT COMP. DELAY and performs a numeral countdown for a maximum of 60 seconds to 0. This delay allows time for refrigerant pressures to equalize for easier starting. Once the unit completes the compressor delay, the display shows UNIT ON XX HRS and cycles between INLET XX°F and INLET XX%. **NOTE:** If no compressor delay countdown is displayed, a delay is not necessary and the machine will begin operation immediately.

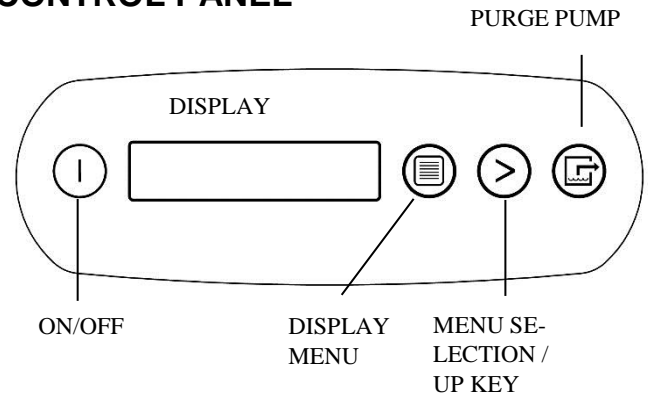
DISPLAY MENU. Press to cycle through the display of additional dehumidifier conditions and User Settings. To return to the main menu, press the ON/OFF key once.

MENU SELECTION. Press to change the values of the "User Defined" settings. The MENU SELECTION key acts as the UP key for adjusting the setpoint for Humidistat mode operation. See User Settings Menu.

PURGE. Press to empty water from the condensate pump reservoir. The display will read PUMP PURGING with a numeral countdown.

NOTE: During normal operation, the pump purges automatically.

CONTROL PANEL



ON/OFF

Press and release to turn unit on or off.

DISPLAY MENU

Press to select next item in menu. Menu item will show in display.

MENU SELECTION /
UP KEY
PURGE PUMP

Press to toggle or select values in menu displayed. Press and release to start purge. Display will count down seconds remaining until purge is complete.

USER SETTINGS

Only menu items followed by a greater-than symbol (>) may be adjusted. If no keys are selected for 5 minutes on screens: INLET OUTLET, GRAIN DPR, the display will return to normal display mode. In all the other menu items, the display will return to the normal display mode after 20 seconds. Items without the symbol (>) are for information only and cannot be changed or reset.

Press **DISPLAY**

MENU to proceed to the next menu item. ↓

Press  **MENU SELECTION** to change the setting. →

1. JOB HRS RESET >
PWR INTERRUPT X

>

1. JOB HR RESET 0
PWR INTERRUPT 0

Press > to reset to 0.

2. INLET OUTLET
100' 80% 115' 30%

For information only.

3. GRAIN DPR
XX GPP

(XX.X g/kg for 230V models)

4. FILTER CHECKED
XXX HRS >

>

5. FILTER CHECKED
0 HRS

Press > to clear filter hours.

5. COIL CLEANED
XXX HRS >

>

5. COIL CLEANED
0 HRS

Press > to clear coil hours.

6. HUMIDISTAT
MODE OFF >

>

6. HUMIDISTAT
MODE ON >

Press > to turn ON or OFF.

7. HUMIDISTAT
SETPOINT XX% >

>

Press > to cycle through 40%–90% at 5% increments (default is 50%). **For maximum dehumidification, make sure HUMIDISTAT is OFF.**

8. LANGUAGE
ENGLISH >

>

8. IDIOMA
ESPANOL >

>

8. SPRACHE
DEUTSCH >

>

8. LANGUE
FRANCAIS >

Press > to change language options.

9. TEMP UNITS
'F >

>

9. TEMP UNITS
'C >

Press > to change to °F or °C.

10. COIL TEMP
XX'

For information only.

11. COMP CURRENT
XX.X A

For information only.

12. FIRMWARE
3.0X FXXX-XXX

For information only.

13. LIFE HOURS
XXXX HRS

(Returns to top menu item.)

The following section available only on wireless-equipped units.

14. SENSOR ID
XXXXXXXX

(Returns to top menu item.)

BEFORE STORAGE OR TRANSPORT

To reduce the possibility of drips when moving the unit, follow these additional steps to ensure that all water is removed from the unit.

NOTICE: To ensure all water is removed from the dehumidifier, the unit will complete the defrost cycle even if the unit is turned off. If the unit is unplugged during the

defrost cycle, excessive water may accumulate in the unit and may drip out when you move the unit.

NOTICE: To ensure the condensate tank empties completely while purging, make sure the unit is placed upright on a horizontal surface.

1. Do not turn unit off or move it until it has returned to normal operating mode. To confirm unit status, review the control panel. The control panel will display one of the following messages:

Defrost in progress:

**UNIT ON 00 HRS
DEFROST XX**

Display mode when unit is in defrost mode. XX indicates the seconds remaining on the defrost cycle.

Shutdown sequence

**WAIT FOR
DEFROST XX**

Display mode when unit in defrost and unit is powered down (shut off by user). Unit will complete the defrost cycle to remove any built-up ice then purge the pump. XX indicates the seconds remaining on the defrost cycle.

Drying sequence

**WAIT FOR
UNIT DRYING XX**

Display mode when unit not in defrost and unit is powered down (shut off by user). Unit will complete the 5 minute drying cycle then purge the pump. XX indicates the seconds remaining on the drying cycle.

Normal display:

**UNIT ON 00 HRS
INLET XX° C**

Wait until the control shows the normal display before proceeding.

2. Gently rock the machine to ensure any water remaining on interior surfaces falls into the sump area.
3. Press the **PURGE** key. When the purge cycle is complete, turn the unit off.
4. Remove the external drain hose, drain it carefully, coil it and secure it with one of the straps provided on the side of the unit.

TRANSPORTATION AND STORAGE

NOTICE: Handle the unit carefully. Do not drop, throw, or place the unit where it could fall. Rough treatment can damage this equipment and may create a hazardous condition or void warranty.

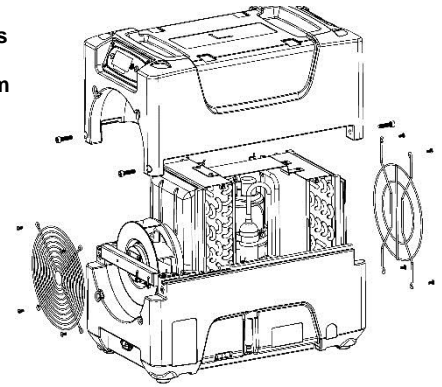
- Do not expose the control panel to moisture, snow or rain.
- Protect from freezing.
- Store and transport securely to avoid any damaging impact to internal parts.
- Secure during transport to prevent sliding and possible injury to vehicle occupants.

MAINTENANCE SCHEDULE

WARNING! ELECTRIC SHOCK HAZARD. Unplug unit before cleaning or servicing.

Fig. B: Disassembly for Cleaning

Remove the 4 screws from housing and 2 top screws each from inlet and outlet grills and lift off cover.



WARNING: Risk of dust and contaminants exposure. Use of respirator mask and gloves is recommended. If unit has been exposed to potentially dangerous contaminants, clean thoroughly and sanitize before reuse.

NOTICE: The unit is fitted with sensitive electronic sensors. Protect the sensors and their lead wires from damage and do not expose them to water or cleaning solution.

The following tools and supplies are needed to complete the maintenance procedures described in this manual:

- Philips screwdriver
- 10 mm wrench
- 6 mm hex bit
- ¼ in. nut driver
- Cleaning cloths
- HEPA vacuum cleaner with soft brush nozzle and crevice nozzle.

Recommended

Cordless drill, small knife, small-jaw pliers, coil cleaning solution, rotomolded housing cleaning solution.

Before each use

Inspect the electrical cord for damage. Look for fraying, cuts, etc. Replace the cord if you find any damage.

Inspect filter. The EB80 filter should be replaced when the accumulation of dust is visible.

Monthly

Clean pump check valve and basin. In normal use, dust can accumulate and can restrict airflow, reducing performance and causing the unit to overheat. Clean when dust accumulation is visible. Remove grills and cover as shown in Fig. B. Use a vacuum cleaner with a brush tool and a soft cloth to remove any debris. Take care not to damage any interior components.

To maintain appearance, wipe interior and exterior surfaces with a damp cloth. For deep cleaning and a lasting, protective shine, use an automotive interior cleaner.

As Needed

Clean pump check valve and basin. If the unit displays the message “ER9 PUMP BLOCKED PUMP & HOSE”, the pump check valve and pump basin may need to be cleaned. Remove grills and cover as shown in Fig. B. Remove screws from pump base and lift out pump. Wipe out pump basin with a damp cloth. Unthread barbed fitting with check valve and rinse fitting and check valve

with clean water. Reinstall barbed fitting into pump. Do not overtighten. Reinstall pump on base. Reinstall cover and grills.

Clean coils. With the cover removed, inspect both coils. If excessive dust and debris is present, vacuum thoroughly and/or clean with coil cleaner.

PUMP PURGE BUTTON

The Control Panel will display the following messages when the Pump Purge Button is pressed.

CONTROL PANEL MESSAGE	EXPLANATION
--- PUMP PURGING XX	Pump is purging with countdown in seconds. Press key again to stop if needed.

SYSTEM MESSAGES

The Control Panel will display the following messages based on system performance and environmental conditions. User action, if any is required, is indicated in the third column.

CONTROL PANEL MESSAGE	EXPLANATION	USER ACTION
INITIALIZING	Unit is powering up.	None
FIRMWARE VERSION XXX	Indicates control board firmware version number.	None
FXXX-XXX	Model number.	None
OFF	Unit has finished powering up and is operating.	None
PLEASE WAIT COMP. DELAY XX	60s delay before compressor turns on. Allows system pressure to equalize.	None
UNIT ON XXXX HRS INLET XXX°F / XX%	First line: indicates total operating hours. Second line: Toggles between inlet temperature and inlet RH every 2 seconds.	None
HUMIDISTAT INLET XXX°F / XX%	First line: indicates unit is in humidistat mode Second line: Toggles between inlet temperature and inlet RH every 2 seconds.	None
LOW TEMP INLET XXX°F / XX%	Unit shuts off if inlet temp below 45° F. Turns back on when inlet reaches 50° F.	None
HI TEMP CYCLE REMAINING XX MIN	Unit overload limit reached. Cool-down initiated.	None
--- DEFROST XX	Unit is defrosting, with countdown in seconds.	None
WAIT FOR DEFROST XXX	Unit turned off when coil is cold or already in a defrost cycle. Proceeds to finish cycle or initiate one to clear the coils of ice before storage.	None
WAIT FOR UNIT DRYING XXX	Occurs when unit is turned off and coil is not frozen. Clears the coils of water before storage.	None
CHECK FILTER > ---	Prompt to check filter.	Check filter. Press the > key to reset
CLEAN COILS > ---	Prompt to clean coils and interior.	Clean coils. Press the > key to reset

ERROR MESSAGES

If the control system detects an error, it will produce an error (“ER”) message. If this occurs, first unplug the unit and then plug it back in. This will usually reset the electronics, and the unit will begin operating normally. If the error message reappears, refer to the explanations and solutions shown below. If these solutions do not fix the problem, contact your local authorized service center.

CONTROL PANEL MESSAGE	EXPLANATION AND SOLUTION
ER3 CONTACT SERVICE CENTER	Loss of refrigerant charge. Send unit to an EnviroBoss service center for refrigeration system service.
ER4 DEFROST SENSOR CONNECT or ER4 OULET SENSOR CONNECT	Temp sensor is open, missing, or shorted. Check that temp sensors are installed correctly on control panel. If error persists, contact service.
ER5 SENSOR CONNECTION ON BD	Inlet Temp/RH sensor is open, missing, or shorted. Check that inlet temp/RH sensor is installed correctly on control panel and inlet shroud. If error persists, contact service.
ER6 CONTACT SERVICE CENTER	Current sensor failure. If error persists, contact service.
ER7 INVALID MODEL SETTING	Incorrect or unsupported DIP switch settings. Contact service for correct DIP switch settings.
ER8 BUTTON STUCK ALL BUTTONS	Key is stuck or has been held down too long. Contact service.
ER9 PUMP BLOCKED PUMP & HOSE	Check for obstructions in drain hose. Check the pump.

TROUBLESHOOTING

FAULT	CAUSE	SOLUTION
Water drips out when moving unit	Unit was unplugged before purging was complete.	Purge unit before moving. See "BEFORE STORAGE OR TRANSPORT," above.
Unit does not operate	Unit not switched on. No power to machine.	Switch unit on. Plug in unit; check power cord connection at wall outlet and at base of unit.
Unit collects too little water	Room air is dry. Room temperature is too low. Air filter is full. Heat exchange block and/or coils are clogged.	Confirm humidity level with hygrometer. Increase room temperature. Check filter. Replace as necessary. Check heat exchange block and coils. Clean as necessary.
<i>If the problem you are experiencing is not listed here, call your local distributor.</i>		

SPECIFICATIONS

Name	EB80 Dehumidifier
Water removal	80 pts/day 37.9 L/day at 80°F/60% RH 134 pts/day 63 L/day at 90°F/90% RH
Process air movement	180 CFM 5.4 CMM
Dimensions (W x H x D)	12.5 x 17.6 x 21.5 in. 31.8 x 44.7 x 130.8 cm
Weight (w/ cord & hose)	65 lbs. 29.5 kg
Amps (at 80°F/60% RH)	6.2A
Volts	115V
Frequency	60 Hz
Operating temperature range	45°F–100°F 7°C–38°C
Safety	Certified to CSA Std C22.2 No. 92
<i>Specifications are subject to change without notice. Some values may be approximate.</i>	



WARNING: This product and other substances that may become airborne from its use contain chemicals, including lead and phthalates, known to the State of California to cause cancer, birth defects, or other reproductive harm. For more information, go to P65Warnings.ca.gov

PARTS INCLUDED

20 ft. (6 m) of drain hose with quick-connect fitting.
25 ft. (7.6 m) detachable power cord.
1 disposable air filter

OPTIONAL

Duct Attachment Kit (EBDK)
Hanging Kit (EBHK)

Replacement filters: Part no. 08-02094 (pack of 24). Available from your EnviroBoss distributor.

FOR PARTS AND SERVICE CALL YOUR LOCAL DISTRIBUTOR or EnviroBoss at 800-932-3030.

For proper disposal, this unit should be taken to a recycler licensed to process refrigeration equipment.

Manual de instrucciones

Deshumidificador Portátil EB80

15180 Josh Wilson Road, Burlington, WA 98233
Teléfono: 800-932-3030 Fax: 360-757-7950 www.EnviroBoss.com

El deshumidificador EB80 de EnviroBoss reduce y controla la humedad en ambientes cerrados al remover el vapor de agua del aire.

LEA Y GUARDE ESTAS INSTRUCCIONES

⚠️ ADVERTENCIA



INSTRUCCIONES DE SEGURIDAD

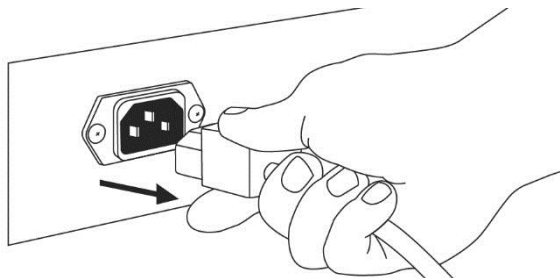
¡ADVERTENCIA! No altere ni modifique su deshumidificador de ninguna forma. Use solo piezas de repuesto autorizadas por Legend Brands. Las modificaciones o el uso de piezas no aprobadas podrían crear un peligro y anularán su garantía. Comuníquese con su distribuidor autorizado para obtener asistencia.

ADVERTENCIA! Peligro de sufrir una descarga eléctrica, lastimarse con el ventilador rotatorio y quemarse con una superficie caliente. Desenchufe la unidad antes de abrir la tapa para limpiarla o hacerle

ADECUADO RETIRO DEL ENCHUFE

Tome el enchufe IEC y tire recto

IMPORTANTE: Cualquier daño en el receptáculo IEC o en el deshumidificador consecuencia de un inadecuado retiro del cable eléctrico no será cubierto por la garantía. El cable eléctrico IEC es un elemento con desgaste y no está cubierto por la garantía.



mantenimiento. La unidad debe tener descarga a tierra.

- Controle el cable de alimentación antes de usarlo. Si está dañado, no lo use. Para desenchufar la unidad, tire siempre del enchufe (nunca del cable).
- Coloque el enchufe de tres clavijas que está en el extremo del cable de alimentación en un tomacorriente con descarga a tierra adecuado. No use adaptadores. Nunca corte la tercera clavija. No use cables prolongadores.
- La unidad debe utilizarse en un circuito eléctrico de 115 V/60 Hz, protegido por un interruptor del circuito de fallos de conexión a tierra (GFCI, por sus siglas en inglés).
- No utilice el aparato en agua estancada. Mantenga el motor y los cables secos.

IMPORTANTE: CAMBIE LOS FILTROS CON FRECUENCIA

Los filtros obstruidos pueden reducir de manera significativa el desempeño del deshumidificador. Reemplace el filtro cuando contenga una alta carga de partículas y sedimentos. Los filtros **NO** pueden volver a usarse o limpiarse. No utilice la unidad si no ha instalado de manera apropiada un filtro EnviroBoss.

Filtros de reemplazo: parte n.º 08-02094 (paquete de 24). Disponible a través de su distribuidor EnviroBoss.

ANTES DE COMENZAR

Garantía

Si usted considera que la unidad necesita recibir servicio, tenga a la mano la información sobre el modelo de su equipo, el número de serie y el comprobante de compra original, y llame a su distribuidor para que le ayude a obtener una autorización de devolución de materiales (RMA, por sus siglas en inglés).

INTRODUCCIÓN

El deshumidificador EB80 reduce la humedad en ambientes cerrados mediante la eliminación del vapor de

agua del aire. Con el uso adecuado, el EB80 puede ayudar a mantener la humedad a intervalos óptimos durante las etapas de crecimiento y procesamiento. Controlar cuidadosamente la humedad puede aumentar los rendimientos y reducir el riesgo de moho o mildiu que puede reducir los beneficios.

Funcionamiento del EB80

El deshumidificador por refrigeración EB80 utiliza un ventilador para extraer el aire húmedo y condensarlo en agua, la cual se acumula en una bandeja y se bombea de forma automática hacia afuera a través de una manguera de desagüe.

El EB80 está preconfigurado para mantener automáticamente un nivel de humedad relativa del 50%. Para cambiar esta configuración, consulte "Modo de humedad con" más adelante. Nota: La unidad se apaga automáticamente por debajo del 40% de humedad relativa.

CONTROLES E INSTRUCCIONES DE OPERACIÓN

Coloque la unidad en posición vertical

AVISO: Siempre almacene, transporte y utilice la unidad en posición horizontal. Si la unidad llegara a colocarse en posición vertical, póngala en posición horizontal de nuevo y déjela reposar durante al menos 30 minutos antes de encenderla.

Ubicación del deshumidificador

Para obtener los mejores resultados, utilice los deshumidificadores en un área cerrada. Coloque el deshumidificador lejos de obstrucciones y manténgalo alejado de cualquier objeto que pueda bloquear el flujo de aire dentro y fuera de la unidad. Para obtener más información acerca de cómo crear un control de humedad óptimo, comuníquese con EnviroBoss al 800-932-3030.

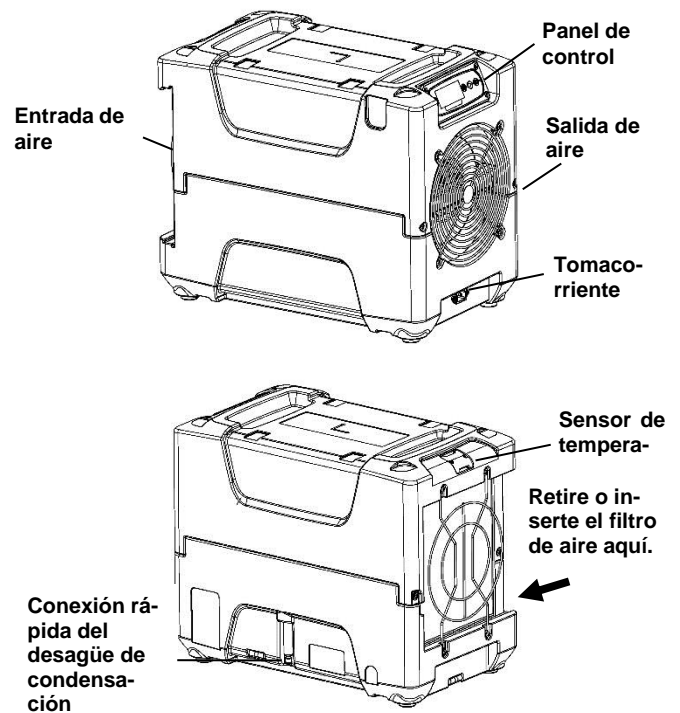
Configuración de la manguera de desagüe

Esta unidad bombea automáticamente el agua hacia afuera de forma uniforme. Este deshumidificador está equipado con un accesorio de conexión rápida para su conexión a la manguera de drenaje provista de ubicado en la bandeja sobre la unidad. Desenrolle la manguera completamente y coloque el extremo abierto en un lavabo, drenaje o cubo: en cualquier lugar donde el agua pueda drenarse o ser recogido de forma segura. Si usa un cubo u otro contenedor para la recolección de agua, compruébelo constantemente para evitar derrames.

AVISO: Desenrolle y enderece toda la manguera de desagüe. No deje ninguna parte de la manguera enrollada ni coloque el extremo de la manguera a 3 pies (1 m) por encima de la parte inferior de la unidad. También vea si hay torceduras u otras obstrucciones que podrían restringir el flujo de agua. Las obstrucciones pueden provocar una retención del agua y ocasionar derrames.

07-02331B EB80

Imagen A: Identificación de las piezas



Conecte el cable eléctrico

El EB80 debe conectarse a un tomacorriente de 115 voltios con protección de GFCI especificado por lo menos para 15 amperios. Siempre conecte firmemente el cable en la unidad primero y luego conecte el otro extremo a un tomacorriente adecuado.

Pantalla de inicio y modos de visualización normales

Cuando la unidad se conecta por primera vez en la alimentación de corriente alterna (CA), la pantalla del panel de control mostrará brevemente una serie de lecturas en ciclo. Esto es parte del procedimiento de auto-diagnóstico de la unidad y no se requiere ninguna intervención del usuario.

Encienda la unidad

El panel de control del deshumidificador EB80 tiene una pantalla y un panel táctil con cuatro botones. Presione el botón ON/OFF (ENCENDIDO / APAGADO) para encender la unidad. La unidad realizará un conteo regresivo de retardo del compresor (de hasta sesenta segundos de duración) y un proceso de autodiagnóstico.

Una vez que la cuenta regresiva del compresor y el autodiagnóstico se hayan completado, la pantalla cambiará al **modo de visualización normal**.

UNIDAD ENCENDIDA 00 HRS
ENTRADA 00° F / ENTRADA 00%

La **primera línea** de la pantalla muestra el número total de horas que la unidad ha estado en operación. Este valor puede restablecerse a cero para dar seguimiento a las horas de trabajo (vea "Restablecimiento de horas de trabajo" a continuación). La **segunda línea** de la pantalla muestra alternadamente la temperatura de entrada y la humedad de entrada.

Menú de configuraciones del usuario

El usuario puede cambiar algunas configuraciones de la pantalla. También se puede mostrar la información del sistema. Se puede tener acceso a estos elementos presionando DISPLAY MENU (MENÚ DE PANTALLA). Con cada pulsación del botón se mostrará el siguiente parámetro. Cuando llegue al parámetro que quiera ajustar, presione MENU SELECTION (SELECCIÓN DE MENÚS) para aumentar el valor. Presione DISPLAY MENU (MENÚ DE PANTALLA) de nuevo para aceptar la configuración y volver a iniciar el ciclo de visualización.

Todos los ajustes y modos se describen con detalle en la Guía del panel de control, que se encuentra más adelante.

Mensajes de error

Si el diagnóstico incorporado al EB80 detecta un problema, la unidad mostrará un mensaje de error. Consulte "Mensajes del error".

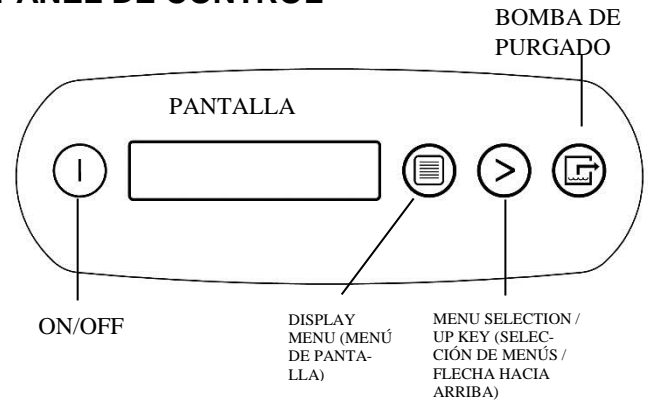
Guía del panel de control

ON/OFF (ENCENDIDO / APAGADO). Presione el botón ON/OFF para encender o apagar la unidad. Cuando el equipo está encendido, la pantalla indica normalmente PLEASE WAIT COMP. DELAY (ESPERE EL RETARDO DEL COMPRESOR) y realiza una cuenta regresiva desde un máximo de 60 segundos hasta 0. Este retardo da tiempo para que se iguale la presión del refrigerante con el fin de facilitar el arranque. Una vez que haya transcurrido el retardo del compresor, la pantalla mostrará UNIT ON XX HRS (UNIDAD ENCENDIDA XX HORAS) y alternará entre INLET XX°F (ENTRADA XX° F e INLET XX% (ENTRADA XX%). NOTA: Si no aparece ninguna cuenta regresiva de retardo del compresor, el retardo no es necesario y la máquina comenzará a funcionar de inmediato.

DISPLAY MENU (MENÚ DE PANTALLA). Presione para alternar entre la visualización de las condiciones adicionales del deshumidificador y la configuración del usuario. Para volver al menú principal, presione el botón ON/OFF (ENCENDIDO / APAGADO) una sola vez.

MENU SELECTION (SELECCIÓN DE MENÚS). Presione para cambiar los valores de los ajustes "User Defined". El botón de MENU SELECTION (SELECCIÓN DE MENÚS) funciona como tecla de flecha hacia arriba para ajustar el punto de operación del funcionamiento

PANEL DE CONTROL



ON/OFF (ENCENDIDO / APAGADO)

DISPLAY MENU (MENÚ DE PANTALLA)

MENU SELECTION / UP KEY (SELECCIÓN DE MENÚS / FLECHA HACIA ARRIBA)

BOMBA DE PURGADO

Presione y suelte para encender o apagar la unidad.

Presione para seleccionar el siguiente elemento del menú. El elemento del menú se mostrará en la pantalla.

Presione para cambiar o seleccionar los valores en el menú desplegado.

Presione y suelte para empezar a purgar. La pantalla mostrará una cuenta regresiva de los segundos que faltan para que se complete la purga.

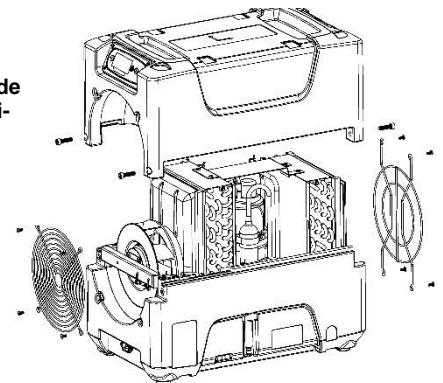
en el modo de humidistato. Consulte la sección Menú de configuración del usuario.

PURGE (PURGA). Presione para vaciar el agua del depósito de la bomba de condensado. En la pantalla aparecerá PURGING PUMP (PURGANDO BOMBA) con un número de cuenta regresiva.

NOTA: Durante el funcionamiento normal, la bomba se purga automáticamente.

Imagen B: Desmontaje para limpieza

Retire los 4 tornillos de la carcasa y los 2 tornillos superiores de cada una de las parrillas de entrada y salida, y levante la cubierta.



AJUSTES DE USUARIO

Solo se pueden ajustar los elementos del menú que estén seguidos de un símbolo de «mayor que» (>). Si no se selecciona ninguna tecla en las siguientes pantallas en un lapso de 5 minutos: INLET OUTLET (ENTRADA SALIDA), DPR GRAIN (GRANO DE DPR), la pantalla volverá al modo de visualización normal. En todos los demás elementos de menú, la pantalla regresará al modo de visualización normal después de 20 segundos. Los elementos que no tienen el símbolo (>) son únicamente para información y no se pueden cambiar ni restablecer.

Presione **DISPLAY MENU (MOSTRAR MENÚ)** para pasar a la siguiente opción del menú. ↓

Presione **MENU SELECTION (SELECCIÓN DEL MENÚ)** para cambiar el ajuste. →

1. HRS REINICIAR>
FALLA DE LUZ X

> 1. H DE TRABAJO 0
FALLA DE LUZ 0

Presione > para restablecer a 0.

2. ENTRADA SALIDA
100' 80% 115' 30%

Sólo para información.

3. ENTRADA-SALIDA
XX.X g/kg

4. FILTRO REVISADO
XXX HR >

> 5. FILTRO REVISADO
0 HRS

Presione > para borrar las horas de limpieza del filtro.

5. LIMPIAR BOBINA
XXX HRS >

> 5. LIMPIAR BOBINA
0 HRS

Presione > para borrar las horas de limpieza de la bobina.

6. HIGROSTATO
MODO APAGADO>

> 6. HIGROSTATO
MODO PRENDIDO>

Presione > para poner en ON u OFF (ENCENDER o APAGAR). **Para una deshumidificación máxima, vele por que HUMIDISTAT esté apagado.**

7. CONSIGNA
HIGROSTATO XX%>

> Presione > para alternar entre el 40% y el 90% en incrementos de 5% (el valor predeterminado es de 50%).

8. IDIOMA
ESPANOL >

> 8. SPRACHE
DEUTSCH >

> 8. LANGUE
FRANCAIS >

> 8. LANGUAGE
ENGLISH >

Presione > para cambiar las opciones de idioma.

9. TEMPERATURA
'C >

> 9. TEMPERATURA
'F >

Presione > para cambiar a °F o °C.

10. TEMP BOBINA
XX'

Sólo para información.

11. CORR COMPRS
XX.X A

Sólo para información.

12. FIRMWARE
3.0X FXXX-XXX

Sólo para información.

13. TOTAL DE HRS
XXXX HR

(Regresa al elemento del menú superior).

La siguiente sección está disponible sólo en las unidades equipadas con sistema inalámbrico.

14. SENSOR ID
XXXXXXXX

(Regresa al elemento del menú superior).

ANTES DEL ALMACENAJE O DEL TRANSPORTE

Para reducir la posibilidad de goteos al mover la unidad, siga estos pasos adicionales para asegurarse de que toda el agua sea retirada de la unidad.

AVISO: Para asegurar que toda el agua sea quitada del deshumidificador, la unidad habrá de completar el ciclo de descongelamiento incluso si se halla apagada. Si la unidad fuera desenchufada durante el ciclo de descongelamiento, es posible que se acumule en la misma el exceso de agua y gotear cuando se la traslade.

AVISO: Para asegurarse de que el tanque de condensado se vacíe por completo mientras se hace el purgado, asegúrese de que la unidad esté en posición vertical sobre una superficie horizontal.

1. Si la unidad está en un ciclo de descongelamiento, espere hasta que regrese al modo normal de funcionamiento antes de proceder. Para comprobar, revise el panel de control. Éste mostrará uno de los siguientes mensajes:

Descongelamiento en progreso:

**PRENDIDO XXXX H
DESCONGELE XX**

Modo de visualización cuando la unidad está en modo de descongelamiento. XX indica los segundos restantes en el ciclo de descongelamiento.

Secuencia de apagado

**ESPERE A QUE SE
DESCONGELE XX**

Modo de visualización cuando la unidad está en modo de descongelamiento es apagada (por el usuario). La unidad completará el ciclo de descongelamiento para quitar cualquier hielo acumulado y luego purgará la bomba. XX indica los segundos restantes en el ciclo de descongelamiento.

Secuencia de secado

**ESPERA PARA
SECADO DE LA UNIDAD XX**


Modo de visualización cuando la unidad no está en modo de descongelamiento y es apagada (por el usuario). La unidad completará el ciclo de secado de 5 minutos y después purgará la bomba. XX indica los segundos restantes en el ciclo de descongelamiento.

Visualización normal:

**UNIDAD EN 00 h
ENTRADA XX °C / ENTRADA XX%**

Espere hasta que el control muestre la pantalla normal antes de proceder.

2. Mueva suavemente la máquina para asegurarse de que cualquier resto de agua en las superficies interiores caiga en el área del colector.

3. Pulse la tecla de PURGADO . Cuando se complete el ciclo de purgado, apague la unidad.

4. Retire la manguera de drenaje externo, escúrrala con cuidado, enróllela y sujétela con una de las tiras al costado de la unidad.

TRANSPORTE Y ALMACENAMIENTO

AVISO: Manipule la unidad con cuidado. No la tire ni la apoye en lugares donde pueda caerse. Si no trata este equipo con cuidado, puede dañarse y ocasionar algún peligro, o bien anular la garantía.

- No exponga el panel de control a humedad, nieve o lluvia.
- Almacénelo y transpórtelo de manera segura para evitar cualquier impacto que dañe las piezas internas.
- Cuando transporte la unidad, asegúrela para evitar desplazamientos y posibles daños a los ocupantes del vehículo.

Importante

No almacenar o transportar la unidad en posición horizontal (frente, los lados o hacia atrás). Esto ayudará a evitar que el condensado se escape de la unidad o que fluye en áreas fuera del sistema de gestión de condensado.

Consejo especial para el traslado por escaleras:

Antes de trasladar la unidad por escaleras, siga los siguientes pasos adicionales para asegurarse de que se haya eliminado toda el agua de la unidad:

1. Apague la unidad una vez finalizado el ciclo de descongelación. Balancee suavemente la unidad en posición vertical sobre sus ruedas a fin de asegurarse de que el agua que pueda quedar en las superficies interiores caiga en el sumidero.
2. Presione la tecla PURGAR. Cuando se complete el ciclo de purgado, apague la unidad.
3. Quite la manguera de drenaje externa, vacíela con cuidado y vuelva a colocarla en la cavidad que está en el costado de la unidad.
4. **IMPORTANTE: Desconecte el cable de alimentación de la base de la unidad, enrósquelo con prolijidad y colóquelo nuevamente en la cavidad para guardarlo. De este modo, evitará que el cable se atasque en las escaleras y sufra posibles daños.**

AL FINAL DE LA OPERACIÓN

Para reducir la posibilidad de goteos al mover la unidad, siga estos pasos adicionales para asegurarse de que toda el agua sea retirada de la unidad.

AVISO: Para asegurar que toda el agua sea quitada del deshumidificador, la unidad habrá de completar el ciclo de descongelamiento incluso si se halla apagada. Si la unidad fuera desenchufada durante el ciclo de descongelamiento, es posible que se acumule en la misma el exceso de agua y gotear cuando se la traslade.

AVISO: Para asegurarse de que el tanque de condensado se vacíe por completo mientras se hace el purgado, asegúrese de que la unidad esté en posición vertical sobre una superficie horizontal.

1. Si la unidad está en un ciclo de descongelamiento, espere hasta que regrese al modo normal de funcionamiento antes de proceder. Para comprobar, revise el panel de control. Éste mostrará uno de los siguientes mensajes:

Descongelamiento en progreso:

**PRENDIDO XXXX H
DESCONGELE XX**

Modo de visualización cuando la unidad está en modo de descongelamiento. XX indica los segundos restantes en el ciclo de descongelamiento.

Secuencia de apagado

**ESPERE A QUE SE
DESCONGELE XX**

Modo de visualización cuando la unidad está en modo de descongelamiento es apagada (por el usuario). La unidad completará el ciclo de descongelamiento para quitar cualquier hielo acumulado y luego purgará la bomba. XX indica los segundos restantes en el ciclo de descongelamiento.

Secuencia de secado

**ESPERA PARA
SECADO DE LA UNIDAD XX**

Modo de visualización cuando la unidad no está en modo de descongelamiento y es apagada (por el usuario). La unidad completará el ciclo de secado de 5 minutos y después purgará la bomba. XX indica los segundos restantes en el ciclo de descongelamiento.

Visualización normal:

**UNIDAD EN 00 h
ENTRADA XX °C / ENTRADA XX%**

Espere hasta que el control muestre la pantalla normal antes de proceder.

2. Mueva suavemente la máquina para asegurarse de que cualquier resto de agua en las superficies interiores caiga en el área del colector.
3. Pulse la tecla de PURGADO. Cuando se complete el ciclo de purgado, apague la unidad.
4. Retire la manguera de drenaje externo, escúrrala con cuidado, enróllela y sujétela con una de las tiras al costado de la unidad.

TRANSPORTE Y ALMACENAMIENTO

AVISO: Maneje la unidad con cuidado. No la deje caer, no la tire ni la coloque donde pueda caerse. Un trato brusco puede dañar el equipo y puede generar una condición peligrosa o anular la garantía.

- No esponga el panel de control a la humedad, la nieve ni la lluvia.
- Proteja la unidad contra la congelación.
- Almacene y transporte la unidad de forma segura para evitar que las piezas internas se dañen.
- Asegúrela durante el transporte para evitar deslizamientos y posibles lesiones a los ocupantes del vehículo.

PROGRAMA DE MANTENIMIENTO

¡ADVERTENCIA! PELIGRO DE DESCARGA ELÉCTRICA. Desconecte la unidad antes de limpiarla o darle mantenimiento.

ADVERTENCIA: Riesgo de exposición al polvo y a contaminantes. Se recomienda utilizar una máscara con respirador y guantes. Si la unidad ha estado expuesta a contaminantes potencialmente peligrosos, limpie y desinfecte la unidad a fondo antes de volver a utilizarla.

AVISO: La unidad está equipada con sensores electrónicos sensibles. Proteja los sensores y las puntas de sus cables contra daños y no los esponga al agua ni a la solución de limpieza.

Se requieren las siguientes herramientas y materiales para llevar a cabo los procedimientos de mantenimiento que se describen en este manual:

- Destornillador philips
- Llave de 10 mm
- Punta hexagonal de 6 mm
- Llave de tuercas de ¼ pulg.
- Paños para limpieza
- Aspiradora de absorción de partículas de alta eficiencia (HEPA, por sus siglas en inglés) con boquilla de cepillo suave y boquilla estrecha.

Herramientas y materiales recomendados

- Taladro inalámbrico, cuchilla pequeña, pinzas de quijada pequeña, solución de limpieza para la bobina, solución de limpieza de carcasa rotomoldeada.

Antes de cada utilización

Revise si el cable eléctrico está dañado. Busque quemaduras, cortaduras, etc. Reemplace el cable si está dañado.

Revise el filtro. El filtro del EB80 debe reemplazarse cuando la acumulación de polvo sea visible.

Cada mes

Limpie la válvula de retención y el depósito de la bomba. Con el uso normal, el polvo puede acumularse y puede restringir el flujo del aire, lo cual reduce el rendimiento y ocasiona que la unidad se sobrecaliente. Limpie cuando la acumulación de polvo sea visible. Quite las parrillas y la cubierta según se muestra en la Imagen B. Utilice una aspiradora con un cepillo y un paño suave para eliminar cualquier residuo. Tenga cuidado de no dañar los componentes internos.

Para mantener una buena apariencia, limpie las superficies interiores y exteriores con un paño húmedo. Para una limpieza profunda y un brillo duradero y protector, utilice un limpiador para interiores de automóviles.

Según se requiera

Limpie la válvula de retención y el depósito de la bomba. Si la unidad muestra el mensaje ER9 BOMBA

TAPADA BOMBA&MANGUERA, es posible que sea necesario limpiar la válvula de retención y el recipiente de la bomba. Quite las parrillas y la cubierta según se muestra en la Imagen B. Retire los tornillos de la base de la bomba y saque la bomba. Limpie el depósito de la bomba con un paño húmedo. Desenrosque la boquilla estriada de la válvula de retención y enjuague la boquilla y la válvula de retención con agua limpia. Vuelva a colo-

car la boquilla estriada en la bomba. No apriete demasiado. Vuelva a instalar la bomba en la base. Vuelva a instalar la cubierta y las parrillas.

Limpie las bobinas. Con la cubierta retirada, inspeccione las dos bobinas. Si hay polvo y suciedad, limpie a fondo con una aspiradora o limpie con limpiador para bobinas.

BOTÓN DE PURGA DE LA BOMBA

El panel de control mostrará los siguientes mensajes cuando se presione el botón de purga de la bomba.

MENSAJE DEL PANEL DE CONTROL	EXPLICACIÓN
--- PURGA DE AGUA XX	La bomba se está purgando con cuenta regresiva en segundos. Presione la tecla de nuevo para parar en caso de que sea necesario.

MENSAJES DEL SISTEMA

El panel de control mostrará los siguientes mensajes con base en el desempeño del sistema y las condiciones ambientales. En caso de que se requieran, se indican las acciones del usuario en la tercera columna.

CONTROL PANEL MESSAGE	EXPLANATION	USER ACTION
INICIALIZAR	La unidad está encendiendo.	Ninguna
VERSION FIRMWARE XXX	Indica el número de versión del firmware del tablero de control.	Ninguna
FXXX-XXX	Número de modelo.	Ninguna
APAGADO	La unidad ha terminado de encender y está funcionando.	Ninguna
POR FAVOR ESPERE RETAR COMPRS XX	60s de espera antes de que encienda el compresor. Permite que se iguale la presión del sistema.	Ninguna
PRENDIDO XXXX HR ENTRADA XXX°C/ XX%	Primera línea: indica el total de horas de operación. Segunda línea: Alterna cada 2 segundos entre la temperatura de entrada y la humedad relativa de entrada.	Ninguna
HIGROSTATO ENTRADA XXX°C/ XX%	Primera línea: indica que la unidad está en modo de higróstico Segunda línea: Alterna cada 2 segundos entre la temperatura de entrada y la humedad relativa de entrada.	Ninguna
BAJA TEMP ENTRADA XXX°C/ XX%	La unidad se apaga si la temperatura de entrada está por debajo de los 45 °F. Se vuelve a encender cuando la entrada alcanza los 50 °F.	Ninguna
CICLO ALTA TEMP. MIN RESTANTES XX	Se llegó al límite de sobrecarga de la unidad. Se inició el enfriamiento.	Ninguna
--- DESCONGELE XX	La unidad se está descongelando con cuenta regresiva en segundos.	Ninguna
ESPERE A QUE SE DESCONGELE XXX	La unidad se apaga cuando la bobina está fría o si ya está en un ciclo de descongelación. Procede a terminar el ciclo o a iniciar uno que libere las bobinas de hielo antes de su almacenamiento.	Ninguna
ESPERE A QUE SE SECADO XXX	Ocurre cuando la unidad se apaga y la bobina no está congelada. Saca el agua de las bobinas antes de su almacenamiento.	Ninguna
COMPROBAR FILTRO> ---	Indica comprobar el filtro.	Comprobar el filtro. Presionar la tecla > para restablecer
LIMPIAR BOBINA > ---	Indica limpiar las bobinas y el interior.	Limpiar las bobinas. Presionar la tecla > para restablecer

MENSAJES DE ERROR

Si el sistema de control detecta un error, se producirá un mensaje de error ("ER"). Si esto ocurre, desconecte la unidad y luego conéctela de nuevo. Por lo general, esto restablecerá la parte electrónica, y la unidad comenzará a funcionar normalmente. Si el mensaje de error vuelve a aparecer, consulte las explicaciones y soluciones que se muestran a continuación. Si estas soluciones no se resuelven el problema, póngase en contacto con su centro de servicio local autorizado.

MENSAJE DEL PANEL DE CONTROL	EXPLICACIÓN Y SOLUCIÓN
ER3 CENTRO DE SERVICIO DE CONTACTO	Pérdida de carga de refrigerante. Envíe la unidad a un centro de servicio de EnviroBoss para servicio de sistema de refrigeración.
ER4 CONEXION SENSOR DESCONG or ER4 CONEXION SENSOR SALIDA	Sensor de temperatura abierto, faltante, o en cortocircuito. Compruebe que los sensores de temperatura estén instalados correctamente en el panel de control. Si el error persiste, comuníquese al centro de servicio.
ER5 CONEXION SENSOR TABLERO	Sensor de temperatura/humedad relativa de entrada abierto, faltante, o en cortocircuito. Compruebe que el sensor de temperatura/humedad relativa esté instalado correctamente en el panel de control y la cubierta de entrada. Si el error persiste, comuníquese al centro de servicio.
ER6 CONTACTAR CENTRO DE SERV	Falla en el sensor de corriente. Si el error persiste, comuníquese al centro de servicio.
ER7 INVAL AJUSTE	Configuración incorrecta o incompatible de los interruptores DIP. Comuníquese al centro de servicio para obtener la configuración correcta de los interruptores DIP.
ER8 BOTON ATORADO	La tecla se ha atascado o se ha oprimido por demasiado tiempo. Comuníquese al centro de servicio.
ER9 BOMBA TAPADA BOMBA&MANGUERA	Compruebe si hay obstrucciones en la manguera de desagüe. Revise la bomba.

DETECCIÓN DE PROBLEMAS

FALLA	MOTIVO	SOLUCIÓN
Gotea agua cuando se mueve la unidad.	Se desenchufó la unidad antes de que terminara el ciclo de purgado.	Purgue la unidad antes de moverla. Consulte "ANTES DEL ALMACENAJE O DEL TRANSPORTE."
La unidad no funciona.	Unidad desenchufada. La máquina no recibe electricidad.	Enciéndala. Enchufe la unidad; revise la conexión del cable de alimentación en el tomacorriente de la pared y en la base de la unidad.
La unidad junta muy poca agua.	El aire de la habitación está seco. La temperatura de la habitación es demasiado baja. El filtro está lleno. El bloque de intercambio de calor y/o los serpentines están tapados.	Controle el nivel de humedad con un higrómetro. Aumente la temperatura de la habitación. Controle el filtro. Reemplácelo si es necesario. Controle el bloque de intercambio de calor y los serpentines. Límpielos si es necesario.
<i>Si su problema no está incluido aquí, llame al distribuidor de su zona o comuníquese sin cargo.</i>		

ESPECIFICACIONES

Nombre	Deshumidificador EB80
Eliminación del agua	80 pts/día 37.9 L/día a 80° F / 60% RH 134 pts/día 63 L/día a 90° F / 90% RH
Movimiento del aire	180 CFM 5.4 CMM
Dimensiones (ancho x alto x fondo)	12.5 x 17.6 x 21.5 cm 31.8 x 44.7 x 130.8 cm
Peso (c/cable y manguera)	65 libras. 29.5 kg
Amperios (a 80° F / 60% de RH)	6.2 amperios
Voltas	115V
Frequency	60 Hz
Rango de temperatura de operación	45°F–100°F 7°C–38°C
Seguridad	Certificado conforme a la norma CSA C22.2 No. 92
<i>Las especificaciones están sujetas a cambios sin previo aviso. Algunos valores pueden ser aproximados.</i>	



ADVERTENCIA: Este producto y otras sustancias que pueden desprenderse del aire por su uso contienen productos químicos, entre ellos plomo y ftalatos, que el estado de California sabe que causan cáncer, defectos congénitos u otros daños durante la gestación. Para obtener más información, visite P65Warnings.ca.gov.

PIEZAS INCLUIDAS

Manguera de desagüe de 20 pies (6 m) con conexión de acoplamiento rápido.
Cable de alimentación extraíble de 25 pies (7.6 m).
1 filtro de aire desechable (reordenar EBF140 3 filtros)

OPTIONAL

Duct Attachment Kit (EBDK)
Hanging Kit (EBDK)

Filtros de reemplazo: parte n.º 08-02094 (paquete de 24). Disponible a través de su distribuidor EnviroBoss.

PARA PEDIR INFORMACIÓN SOBRE PIEZAS Y SERVICIO, LLAME A SU DISTRIBUIDOR LOCAL o a EnviroBoss al 800-932-3030. www.EnviroBoss.com

Para deshacerse de esta unidad de forma adecuada, es necesario llevarla a un reciclador autorizado para procesar equipos de refrigeración.

Déshumidificateur portable EB80

15180 Josh Wilson Road, Burlington, WA 98233
Téléphone : 800-932-3030 Fax : 360-757-7950 www.EnviroBoss.com

La EnviroBoss EB80 déshumidificateur réduit et contrôle l'humidité des environnements clos en éliminant la vapeur d'eau de l'air.

LIRE ET CONSERVER CES INSTRUCTIONS

AVERTISSEMENT



INSTRUCTIONS DE SÉCURITÉ IMPORTANTES

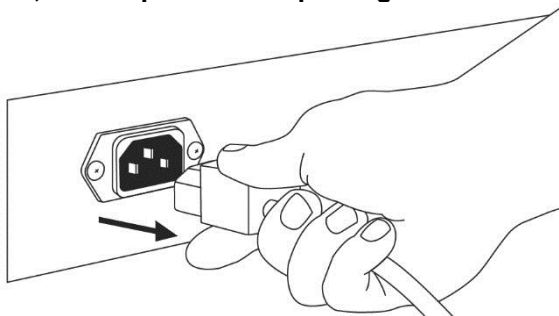
AVERTISSEMENT! Ne pas modifier le Unit d'aucune façon. Utiliser seulement des pièces de rechange autorisées par Legend Brands. Toute modification ou l'utilisation de pièces non approuvées peut constituer un danger et annulera votre garantie. Contactez votre distributeur autorisé EnviroBoss pour obtenir de l'aide.

AVERTISSEMENT! Danger de décharge électrique, ventilateur tournant et surfaces très chaudes. Débrancher l'appareil avant d'ouvrir le couvercle pour le nettoyage ou l'entretien. L'appareil doit être mis à la terre.

COMMENT BIEN ENLEVER LE CORDON ÉLECTRIQUE

Saisir la prise IEC et tirer en la tenant droite

IMPORTANT : Les dommages occasionnés au récipient ou au déshumidificateur IEC en raison d'un retrait incorrect du cordon électrique ne sont pas couverts par la garantie. Le cordon électrique IEC étant une pièce d'usure, il n'est pas couvert par la garantie.



- Vérifier l'état du cordon d'alimentation avant utilisation. Ne pas l'utiliser si le cordon est endommagé. Pour débrancher, toujours saisir la prise (et non le cordon).
- Enfoncer les trois fiches de la prise du cordon dans une prise de courant mise à la terre. Ne pas utiliser d'adaptateur. Ne jamais sectionner la troisième fiche. Ne pas utiliser de rallonge.
- L'appareil doit fonctionner sur un circuit de 115V/60 Hz protégé par un disjoncteur de fuite à la terre.
- Ne pas mettre l'appareil en marche lorsque de l'eau stagne en surface. Le moteur et le câblage doivent rester secs.

IMPORTANT: CHANGER LES FILTRES FRÉQUEMMENT

L'obstruction des filtres peut réduire de façon significative la performance du déshumidificateur. Remplacer le filtre chaque fois que la quantité de particules et de filtres semble importante. Les filtres **NE** sont **PAS** réutilisables et ne peuvent pas être nettoyés.

Remplacement des filtres: Pièce no 08-02094 (lot de 24). Disponibles auprès de votre distributeur EnviroBoss.

PRÉLIMINAIRES

Le déshumidificateur EB80 réduit l'humidité dans les environnements fermés en enlevant la vapeur d'eau de l'air. Avec une utilisation correcte, le EB80 peut aider à maintenir l'humidité à des intervalles optimaux tout au long des étapes de croissance et de traitement. Contrôler soigneusement l'humidité peut augmenter les rendements et réduire le risque de moisissures ou de moisissures poudreuses qui peuvent réduire les profits.

INTRODUCTION

Le déshumidificateur EB80 réduit l'humidité dans des environnements structurels clos en éliminant la vapeur d'eau de l'air.

Comment fonctionne le Revolution

Le réfrigérant déshumidificateur EB80 utilise un ventilateur pour aspirer l'air humide à l'intérieur et le condense pour le transformer en eau qui s'accumule sur un

plateau et qui est automatiquement pompée à travers d'un tuyau de vidange.

Le EB80 est pré-réglé pour maintenir automatiquement un niveau d'humidité relative de 50%. Pour modifier ce paramètre, voir «Mode Humidistat» ci-dessous. Remarque: l'unité s'éteint auto-matiquement en dessous de 40% d'humidité relative.

COMMANDES ET MODE D'EMPLOI

Placer l'appareil en position horizontale

AVIS : Toujours stocker, transporter et utiliser l'appareil en position horizontale. Si l'appareil a été placé en position verticale, le retourner à la position horizontale et le laisser se reposer pendant au moins 30 minutes avant de l'allumer.

Positionnement du déshumidificateur

Pour obtenir des résultats optimaux, faites fonctionner votre déshumidificateur dans un endroit fermé. Fermez toutes les portes et les fenêtres pour maximiser l'absorption d'eau de l'appareil. Éloignez votre déshumidificateur des obstructions et de tout objet pouvant gêner le flux d'air dans et hors de l'appareil. Pour plus d'informations sur contrôle de l'humidité optimal, contacter EnviroBoss au 800-932-3030.

Mise en place du tuyau de vidange

Cet appareil pompe de l'eau automatiquement sur une base régulière. Ce déshumidificateur est équipé d'un raccord à connexion rapide pour l'attachement au tuyau de vidange fourni, situé sur le plateau sur le dessus de l'unité. Déballez le tuyau entier et placez l'extrémité ouverte dans un bac, drain ou seau dans un endroit où l'eau peut s'écouler ou être collectées en toute sécurité. Si vous utilisez un seau ou un autre contenant pour la collecte de l'eau, vérifiez régulièrement pour éviter un débordement.

AVIS : Dérouler et redresser le tuyau de vidange. Ne laisser aucune partie du tuyau enroulée et ne pas placer l'extrémité du tuyau supérieur à plus de 3 pieds (1 mètres) au-dessus du fond de l'appareil. Vérifier également s'il existe des plis ou autres obstacles susceptibles de limiter le débit d'eau. Les obstructions peuvent causer des débordements.

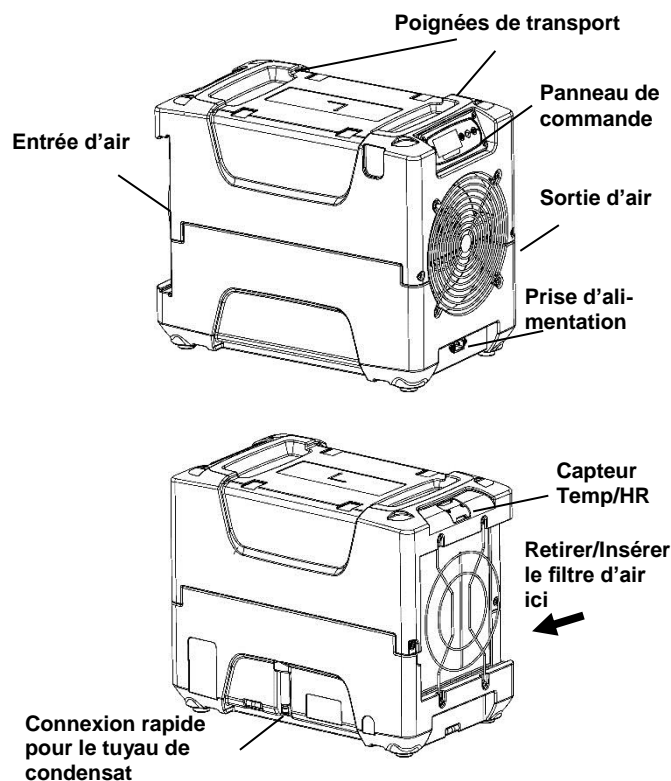
Brancher le cordon électrique

Le EB80 doit être branché dans une prise de 115 volts protégée par DDFT évaluée au moins à 15 ampères. Toujours brancher le cordon fermement d'abord dans l'appareil unité, puis brancher l'autre extrémité dans une prise de courant appropriée.

Écran de démarrage et modes d'affichage normaux

Lorsque l'appareil est branché à une prise secteur, l'affichage du panneau de commande affichera brièvement une série d'affichages. Cela fait partie de la procédure

Fig. A : Identification des pièces



d'autodiagnostic de l'appareil et aucune intervention de l'utilisateur n'est requise.

Allumer l'appareil

Le panneau de commande sur le déshumidificateur EB80 dispose d'un écran et d'un pavé tactile à quatre touches. Appuyer sur le bouton ON/OFF (Marche/Arrêt) pour allumer l'appareil. L'appareil commencera à effectuer un compte à rebours pour le démarrage différé du compresseur (jusqu'à soixante secondes) et le processus d'autodiagnostic. Une fois le compte à rebours pour le démarrage différé du compresseur et le processus d'autodiagnostic terminés, l'écran passe en **mode d'affichage normal**.

ENTRADA SALIDA

100' 80% 115' 30%

La **première ligne** de l'écran affiche le nombre total d'heures de fonctionnement de l'appareil. Cette valeur peut être remise à zéro pour faire le suivi des heures de travail (voir «Remise à zéro des heures de travail» ci-dessous). La **deuxième ligne** de l'affichage alterne entre la température de l'air d'entrée et l'humidité de l'air d'entrée.

Menu des paramètres utilisateur

L'utilisateur peut modifier certains paramètres d'affichage ainsi que les Informations système. Ces éléments sont accessibles en appuyant sur DISPLAY MENU. Chaque pression sur la touche affiche le paramètre suivant. Lorsque vous atteignez le paramètre que vous souhaitez régler, appuyez sur MENU SELECTION pour augmenter la valeur. Appuyez DISPLAY MENU de nouveau pour valider le réglage et redémarrer le cycle. Si aucune touche n'est sélectionnée pendant 5 minutes,

l'écran se réinitialise et retourne au mode d'affichage normal.

Veillez noter que seuls les éléments de menu suivis du symbole supérieur à (>) peuvent être réglés.

Messages d'erreur

Si le système de diagnostics embarqué du EB80 découvre un problème, l'appareil affiche un message d'erreur.

Guide du Panneau de commande

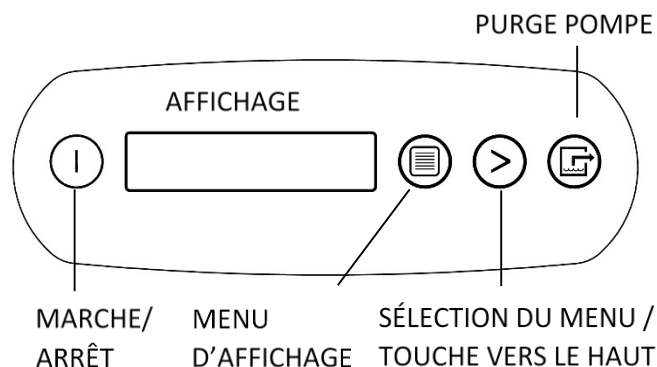
ON/OFF. Appuyer pour allumer ou éteindre l'appareil. Lorsque l'appareil est allumé, l'écran affiche normalement « PLEASE WAIT COMP. DELAY » (Veillez attendre la fin du compte à rebours) et effectue un compte à rebours pour un maximum de 60 secondes à 0. Ce délai permet aux pressions du réfrigérant à s'égaliser pour faciliter le démarrage. Une fois que le délai de démarrage du compresseur est terminé, l'écran affiche UNIT ON XX HRS (Appareil a fonctionné pendant XX heures) et alterne entre INLET XX °F et INLET XX% (température de l'air d'entrée et l'humidité de l'air d'entrée). REMARQUE : Si aucun compte à rebours pour le compresseur n'est affiché, un délai n'est pas nécessaire et l'appareil commencera à fonctionner immédiatement.

MENU D'AFFICHAGE. Appuyer pour faire défiler l'affichage pour des conditions de déshumidification supplémentaires et les paramètres de l'utilisateur. Pour revenir au menu principal, appuyer sur la touche ON/OFF une fois.

SÉLECTION DE MENU. Appuyer pour modifier les valeurs des paramètres « définis par l'utilisateur ». La touche SÉLECTION DE MENU agit comme la touche UP (ver le haut) pour régler le point de consigne pour le fonctionnement en mode Hygrostat. Voir Menu des paramètres utilisateur pour plus de détails.

PURGE. Appuyer pour évacuer l'eau du réservoir de la pompe à condensat. L'affichage indique PUMP PURGING (Évacuation) avec un compte à rebours numérique. REMARQUE : En fonctionnement normal, la pompe évacue l'eau automatiquement.

PANNEAU DE COMMANDE



MARCHE/ARRÊT	Appuyez et relâchez pour allumer ou éteindre l'appareil.
MENU D'AFFICHAGE	Appuyez pour sélectionner l'article suivant du menu. L'article du menu apparaîtra sur l'affichage.
SÉLECTION DU MENU / TOUCHE VERS LE HAUT	Appuyez pour faire défiler ou sélectionner les valeurs affichées du menu.
PURGE POMPE	Appuyez et relâchez pour faire démarrer la purge. L'affichage comptera à rebours les secondes restantes jusqu'à la fin de la purge.

Paramètres de l'utilisateur

Seuls les éléments du menu suivis du symbole « supérieur à » (>) peuvent être réglés. Si aucune touche n'est sélectionnée pendant 5 minutes pour les écrans : ENTRÉE-SORTIE, GRAIN DPR, l'affichage reviendra au mode d'affichage normal. Pour tous les autres éléments du menu, l'affichage reviendra au mode d'affichage normal après 20 secondes. Les éléments sans le symbole (>) ne sont là que pour information et ne peuvent pas être modifiés ou réinitialisés.

Appuyer sur **MENU AFFICHAGE** pour passer à l'option suivante du menu. ↓

Appuyer sur > **SÉLECTION DE MENUS** pour modifier les paramètres. →

1. HRS REINICIAR> FALLA DE LUZ X	>	1. H DE TRABAJO 0 FALLA DE LUZ 0	<i>Appuyer sur > pour réinitialiser à 0.</i>
2. ENTRADA SALIDA 100' 80% 115' 30%	>	<i>Pour information seulement.</i>	
3. ENTRADA-SALIDA XX.X g/kg			
4. FILTRE VÉRIFIÉ XXX HR >	>	4. FILTRE VÉRIFIÉ 0 HRS	<i>Appuyer sur > pour effacer les heures du filtre.</i>
5. LIMPIAR BOBINA XXX HRS >	>	5. LIMPIAR BOBINA 0 HRS	<i>Appuyer sur > pour effacer les heures de la bobine.</i>
6. HIGROSTATO MODO APAGADO>	>	6. HIGROSTATO MODO PRENDIDO>	<i>Appuyer sur > pour allumer ou éteindre. Pour une déshumidification maximale, vérifiez que HUMIDISTAT est sur OFF.</i>
7. CONSIGNA HIGROSTATO XX%>	>	<i>Appuyer sur> pour faire défiler de 40% à 90% par incréments de 5% (le défaut est 50%).</i>	
8. IDIOMA ESPANOL >	>	8. SPRACHE DEUTSCH >	>
		8. LANGUE FRANCAIS >	>
		8. LANGUAGE ENGLISH >	<i>Appuyer sur > pour modifier l'option de langue.</i>
9. TEMPERATURA 'C >	>	9. TEMPERATURA 'F >	<i>Appuyer sur > pour passer de °F à °C.</i>
10. TEMP BOBINA XX'	>	<i>Pour information seulement.</i>	
11. CORR COMPR XX.X A	>	<i>Pour information seulement.</i>	
12. FIRMWARE 3.0X FXXX-XXX	>	<i>Pour information seulement.</i>	
13. TOTAL DE HRS XXXX HR			
<i>(Retour aux éléments du menu principal.)</i>			
<i>La partie suivante n'est disponible que pour les unités équipées sans fil.</i>			
14. SENSOR ID XXXXXXXX			
<i>(Retour aux éléments du menu principal.)</i>			

AVANT LE STOCKAGE OU LE TRANSPORT

Pour réduire la possibilité d'égouttement lors du transport de l'unité, suivez ces étapes supplémentaires pour s'assurer que toute l'eau est évacuée de l'appareil.

REMARQUE : Pour s'assurer que toute l'eau est évacuée du déshumidificateur, l'appareil termine le cycle de dégivrage même si l'appareil est éteint. Si l'appareil est débranché durant le cycle de dégivrage, un excédent d'eau peut s'accumuler dans l'appareil et goutter lors de son déplacement.

REMARQUE : Pour s'assurer que le réservoir de condensation se vide complètement durant la purge, vérifiez que l'appareil est placé en station debout sur une surface horizontale.

1. Si l'appareil est en cycle de dégivrage, attendez qu'il revienne en mode de fonctionnement normal avant de continuer. Pour vérifier, examinez le tableau de commande. Il affiche l'un des messages suivants :

Dégivrage en cours :

**XXXX HRS TRAVAIL
LE DEGIVRAGE XX**

Mode d'affichage lorsque l'appareil est en mode de dégivrage. XX indique les secondes restantes pour le cycle de dégivrage.

Séquence d'arrêt

**ATTENDRE
LE DEGIVRAGE XX**

Mode d'affichage lorsque l'unité est en mode de dégivrage et que l'appareil est éteint (éteint par l'utilisateur). L'appareil termine le cycle de dégivrage pour éliminer la glace accumulée puis purger la pompe. XX indique les secondes restantes pour le cycle de dégivrage.

Séquence de séchage

**ATTENDRE LE SÉCHAGE
DE L'UNITÉ XX**

Mode d'affichage lorsque l'unité n'est pas en mode de dégivrage et est hors tension (éteinte par l'utilisateur). L'unité termine le cycle de séchage de 5 minutes puis le processus de purge de la pompe. XX indique les secondes restantes pour le cycle de séchage.

Affichage normal :

**UNITÉ SUR 00 H
ENTRÉE XX° C / ENTRÉE XX%**

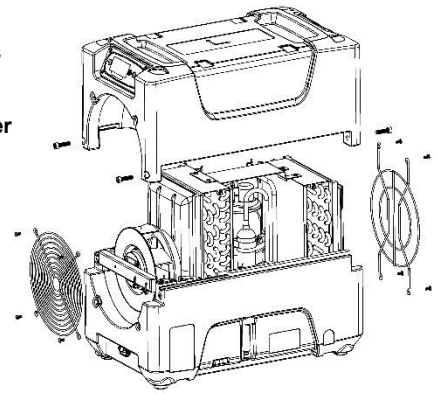
Attendez que le tableau de commande reprenne son affichage normal avant de continuer.

2. Basculez légèrement la machine pour s'assurer que l'eau restant sur les surfaces intérieures s'écoule dans le puisard.

3. Appuyez sur la touche  PURGE. Lorsque le cycle de purge est terminé, éteignez l'unité.

Fig. B : Démontage en vue du nettoyage

Retirer les 4 vis du boîtier et les deux vis du haut de chaque grille d'entrée et de sortie d'air et soulever le couvercle.



4. Retirez le tuyau de vidange externe, videz-le soigneusement, enroulez-le et maintenez-le en place à l'aide d'une des attaches prévues à cet effet sur le côté de l'unité.

PROGRAMME D'ENTRETIEN

AVERTISSEMENT! RISQUE DE CHOC ÉLECTRIQUE. Débrancher l'appareil avant le nettoyage ou l'entretien.

AVERTISSEMENT! Risque de poussière et d'exposition à des contaminants. L'utilisation d'un masque respiratoire et de gants de protection est recommandée. Si l'appareil a été exposé à des contaminants potentiellement dangereux, bien le nettoyer et le désinfecter avant de le réutiliser.

AVIS : L'appareil est équipé de capteurs électroniques sensibles. Protéger les capteurs et leurs fils conducteurs de dommages et ne pas les exposer à l'eau ou à une solution de nettoyage.

Les outils et les fournitures suivantes sont nécessaires pour l'entretien tel que décrit dans ce manuel :

- Tournevis Philips
- Clé de 10 mm
- Mèche hexagonale de 6 mm
- Tourne-écrou ¼ po
- Chiffons de nettoyage
- Aspirateur muni d'un filtre HEPA avec brosse douce et buse plate.

Recommandé

Perceuse sans fil, petit couteau, pince à petite mâchoire, solution de nettoyage de la bobine, solution de nettoyage pour boîtier rotomoulé.

Avant chaque utilisation

Inspecter le cordon électrique pour dommages. Vérifier le cordon pour des coupes, effilochages ou autres dommages. Remplacer le cordon s'il est endommagé.

Inspecter, aspirer ou remplacer le filtre. Le déshumidificateur EB80 est muni d'un filtre. Les filtres peuvent être nettoyés en les aspirant et réutilisés jusqu'à

trois fois avant de les remplacer. Utiliser un aspirateur muni d'un filtre HEPA et d'une brosse pour enlever la poussière ou les débris. Ne pas utiliser d'air comprimé ou de liquides pour nettoyer le filtre, cela pourrait endommager le filtre.

Entretien mensuel

Inspecter les bobines. Nettoyer lorsque l'accumulation de poussière est visible. En fonctionnement normal, la poussière peut s'accumuler et restreindre le débit d'air, réduisant ainsi le rendement et provoquant une surchauffe de l'appareil. Utiliser un aspirateur muni d'une brosse et un chiffon doux pour enlever les débris. Prendre soin de ne pas endommager les composants internes.

Pour maintenir l'apparence, essuyer les surfaces intérieures et extérieures avec un chiffon humide. Pour un nettoyage en profondeur, un éclat et une protection durable, utiliser un nettoyeur intérieur d'automobile.

Au besoin

Nettoyer le clapet anti-retour de la pompe et le réservoir. Si l'appareil affiche le message ER9 BOMBA TAPADA BOMBA&MANGUERA, le clapet anti-retour et le réservoir de la pompe peuvent avoir besoin d'être nettoyés. Retirer les grilles et le couvercle comme indiqué sur la figure B. Retirer les vis de la base de la pompe et retirer la pompe. Essuyer le bassin de la pompe avec un chiffon humide. Inspecter la base de la pompe pour l'accumulation de débris et nettoyer si nécessaire. Dévisser le raccord cannelé et le clapet anti-retour et rincer le raccord et le clapet avec de l'eau propre. Réinstaller le clapet dans le raccord cannelé et installer le raccord dans la pompe. Ne pas trop serrer. Réinstaller la pompe sur la base. Réinstaller le couvercle et les grilles. Nettoyer les bobines. Avec le couvercle retiré, inspecter les deux bobines. Si vous trouvez de la poussière excessive et des débris, aspirez minutieusement et/ou nettoyez avec un nettoyeur de bobine.

BOUTON DE LA PURGE DE LA POMPE

Le panneau de commande affichera le message suivant lors d'une pression sur le bouton de la purge de la pompe.

MESSAGE DU PANNEAU DE COMMANDE	EXPLICATION
--- PURGA DE AGUA XX	La pompe est purgée avec un compte à rebours en secondes. Appuyer à nouveau sur la touche pour arrêter si nécessaire.

MESSAGES DU SYSTÈME

Le panneau de commande affichera les messages suivants en fonction de la performance du système et des conditions environnementales. Le cas échéant, l'action de l'utilisateur est indiquée dans la troisième colonne.

MESSAGE DU PANNEAU DE COMMANDE	EXPLICATION	ACTION DE L'UTILISATEUR
INICIALIZAR	Mise sous tension de l'unité.	Aucune
VERSION FIRMWARE XXX	Indique le numéro de version du micrologiciel du tableau de contrôle.	Aucune
FXXX-XXX	Numéro de modèle.	Aucune
APAGADO	La mise sous tension est terminée et l'unité fonctionne.	Aucune
POR FAVOR ESPERE RETAR COMPRS XX	Délai de 60 s avant le démarrage du compresseur. Permet à la pression du système de s'équilibrer.	Aucune
PRENDIDO XXXX HR ENTRADA XXX°C/ XX%	Première ligne : indique le total des heures de fonctionnement. Seconde ligne : Alterne entre la température d'entrée et RH d'entrée toutes les 2 secondes.	Aucune
HIGROSTATO ENTRADA XXX°C/ XX%	Première ligne: indique que l'unité est en mode hygros- tat Seconde ligne : Alterne entre la température d'entrée et RH d'entrée toutes les 2 secondes.	Aucune
BAJA TEMP ENTRADA XXX°C/ XX%	L'unité s'arrête si la température d'entrée est inférieure à 45° F. Remise en marche lorsque la température d'entrée atteint 50° F.	Aucune
CICLO ALTA TEMP. MIN RESTANTES XX	Limite de surcharge de l'unité atteinte. Amorçage du refroidissement.	Aucune
--- DESCONGELE XX	Dégivrage de l'unité avec un compte à rebours en secondes.	Aucune
ESPERE A QUE SE DESCONGELE XXX	L'unité s'arrête lorsque la bobine est froide ou déjà en cours de cycle de dégivrage. Poursuit pour terminer le cycle ou en commencer un autre pour enlever la glace des bobines avant le stockage.	Aucune
ESPERE A QUE SE SECADO XXX	Se produit lorsque l'unité est arrêtée et que la bobine n'est pas gelée. Enlève l'eau des bobines avant le stockage.	Aucune
VÉRIFIER LE FILTER > ---	Invite à vérifier le filter.	Vérifier le filter. Appuyer sur la touche > pour réinitialiser
LIMPIAR BOBINA > ---	Invite à nettoyer les bobines et l'intérieur.	Nettoyer les bobines. Appuyer sur la touche > pour réinitialiser

MESSAGES D'ERREUR

Si le système de contrôle détecte une erreur, il émettra un message d'erreur (« ER »). Si cela se produit, débranchez d'abord l'unité puis rebranchez-la. Généralement, cela réinitialisera les systèmes électroniques et l'unité se mettra à fonctionner normalement. Si le message d'erreur réapparaît, référez-vous aux explications et solutions décrites ci-dessous. Si ces solutions ne règlent pas le problème, contactez votre centre local de services agréé.


MESSAGE DU PANNEAU DE COMMANDE	EXPLICATIONS ET SOLUTIONS
ER3 CONTACT CENTRE DE SERVICE	Perte de charge de réfrigérant. Envoyer l'unité à un centre de service EnviroBoss pour le service du système de réfrigération.
ER4 CONEXION SENSOR DESCONG or ER4 CONEXION SENSOR SALIDA	Le capteur de température est ouvert, manquant ou court-circuité. Vérifier que les capteurs de température sont installés correctement sur le panneau de commande. Si l'erreur persiste, contacter le fournisseur de services.
ER5 CONEXION SENSOR TABLERO	Le capteur de la température/Rh d'entrée est ouvert, manquant ou court-circuité. Vérifier que les capteurs de température/Rh d'entrée sont installés correctement sur le panneau de commande et la flasque d'entrée. Si l'erreur persiste, contacter le fournisseur de services.
ER6 CONTACTAR CENTRO DE SERV	Panne actuelle du capteur. Si l'erreur persiste, contacter le fournisseur de services.
ER7 INVAL AJUSTE	Paramètres des commutateurs DIP incorrects ou incompatibles. Contacter le service client de EnviroBoss pour obtenir les bons paramètres des commutateurs DIP.
ER8 BOTON ATORADO	Une touche est bloquée ou a été maintenue appuyée trop longtemps. Contacter le fournisseur de services.
ER9 BOMBA TAPADA BOMBA&MANGUERA	Vérifier la présence d'une obstruction dans le tuyau de vidange. Vérifier la pompe.

DÉPANNAGE

DÉFAULT	CAUSE	SOLUTION
L'eau s'égoutte lors du déplacement de l'appareil	L'appareil a été débranché avant que l'évacuation soit terminée.	Évacuer toute l'eau de l'appareil avant de le déplacer. Voir « AVANT LE STOCKAGE OU LE TRANSPORT ».
L'appareil ne fonctionne pas	L'appareil n'est pas allumé. Pas d'alimentation à l'appareil.	Allumer l'appareil. Brancher l'appareil : vérifier la connexion du cordon d'alimentation à la prise murale et sur la base de l'appareil.
L'appareil recueille trop peu d'eau	L'air ambiant est sec. La température ambiante est trop basse. Le filtre est bouché. Les bobines sont bouchées.	Vérifier le niveau d'humidité avec un hygromètre. Augmenter la température ambiante. Vérifier le filtre. Le remplacer si nécessaire. Vérifier bobines. Les nettoyer si nécessaire.
<i>Si le problème que vous rencontrez ne figure pas dans ce tableau, veuillez contacter votre distributeur local</i>		

SPÉCIFICATIONS

Nom	Déshumidificateur EB80
Évacuation de l'eau	80 pintes/jour 37.9 L/jour à 80°F/60% HR 134 pintes/jour 63 L/jour à 90°F/90% HR
Mouvement de l'air	180 CFM 5,1 CMM
Dimensions (L x H x P)	12,5 x 17,6 x 21,5 po 31,8 x 44,7 x 130,8 cm
Poids (avec cordon et tuyau)	65 lb. 29,5 kg
Ampères (à 80°F/60% HR)	6,2 ampères
Volts	115V
Frequency	60Hz
Plage de fonctionnement	33°F–100°F 1°C–38°C
Sécurité	Conforme à la norme CSA C22.2
<i>Ces spécifications sont sujettes à modification sans préavis. Certaines valeurs peuvent être approximatives</i>	

 **MISE EN GARDE:** Ce produit et d'autres substances, qui peuvent être libérés dans l'air lors de l'utilisation, contiennent des produits chimiques, parmi lesquels le plomb et les phtalates, considérés par l'État de Californie comme vecteurs de cancer, d'anomalies congénitales ou d'autres troubles de la reproduction. Pour plus d'informations, rendez-vous sur P65Warnings.ca.gov

PIÈCES INCLUSES

Tuyau de vidange 20 pieds (6 m) avec raccord à connexion rapide.
Cordon d'alimentation détachable 25 pieds (7,6 m).
1 mesh filtre (réorganiser 3 filtres EBF140)

OPTIONAL

Duct Attachment Kit (EBDK)
Hanging Kit (EBHK)

Remplacement des filtres: Pièce no 08-02094 (lot de 24). Disponibles auprès de votre distributeur EnviroBoss.

POUR DES PIÈCES DE RECHANGE ET SERVICE appeler votre distributeur local ou EnviroBoss au 800-932-3030. www.EnviroBoss.com
Pour une mise au rebut correcte, cette unité doit être déposée dans un centre de recyclage agréé pour le traitement des équipements de réfrigération.